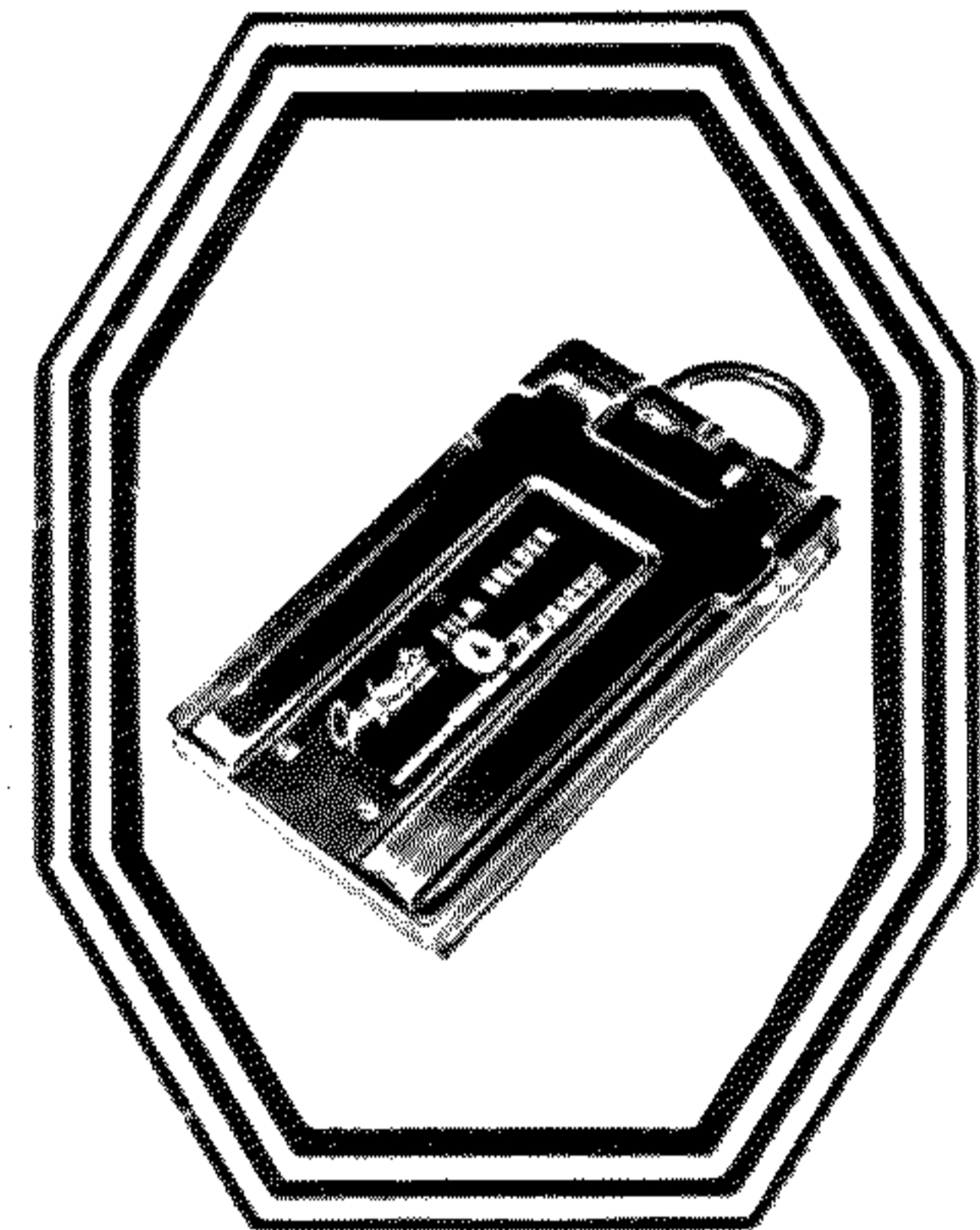


GRAFOMATIC FILM HOLDER

INSTRUCTION MANUAL



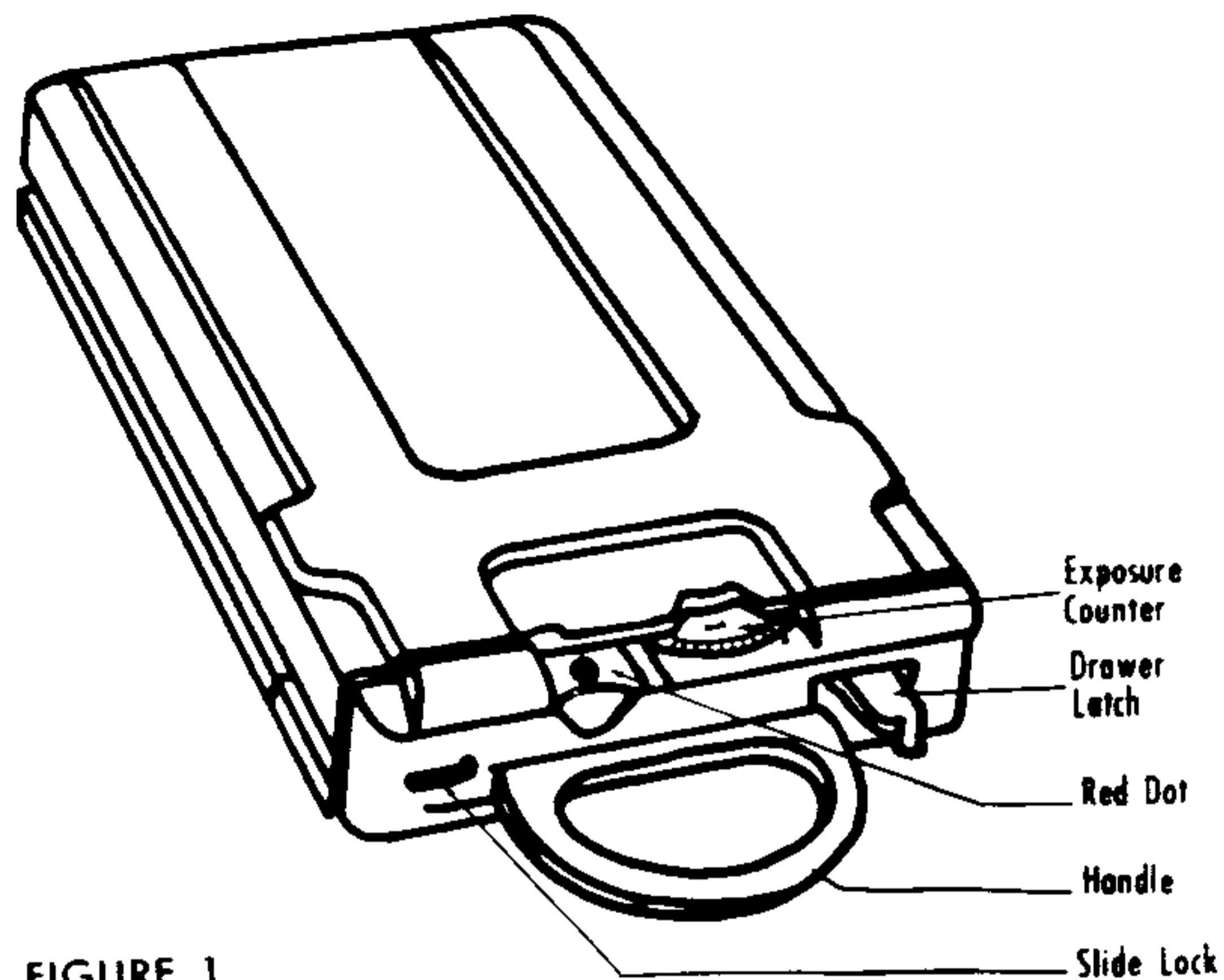


FIGURE 1

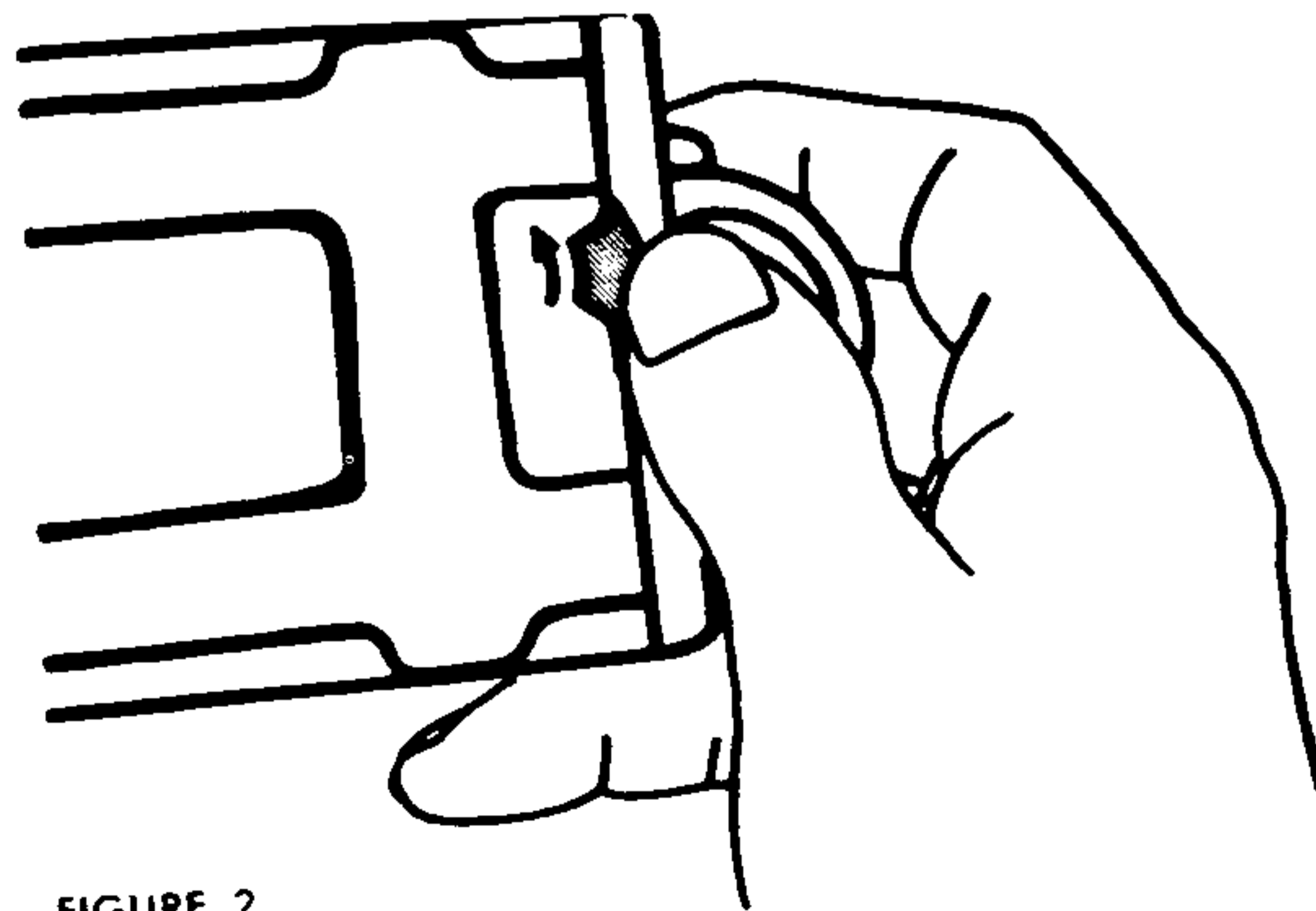


FIGURE 2

The Grafmatic film holder is an automatic magazine holding six individual sheets of film, yet it is but little larger than a standard film pack adapter. Besides indicating the exposure number, it has an indicator to tell whether the film is in the exposed position or covered. The larger 4x5 size, for GRAFLEX and GRAFLOK Backs, has a device numbering each negative as it is exposed. The 4x5 GRAPHIC Grafmatic holder is not recommended for use with GRAPHIC Backs—but if used care must be taken to avoid accidental removal of the holder during operation.

The Grafmatic is extremely simple to operate.

Just two movements are required—PULL and PUSH. First check to see that the exposure counter dial at the back is turned (use the edge of your thumb) so that figure "1" appears, and that the chrome slide lock hook is unlatched. On the 4x5 size set the knurled wheel in the open position permitting the slide to be pulled up with the handle.

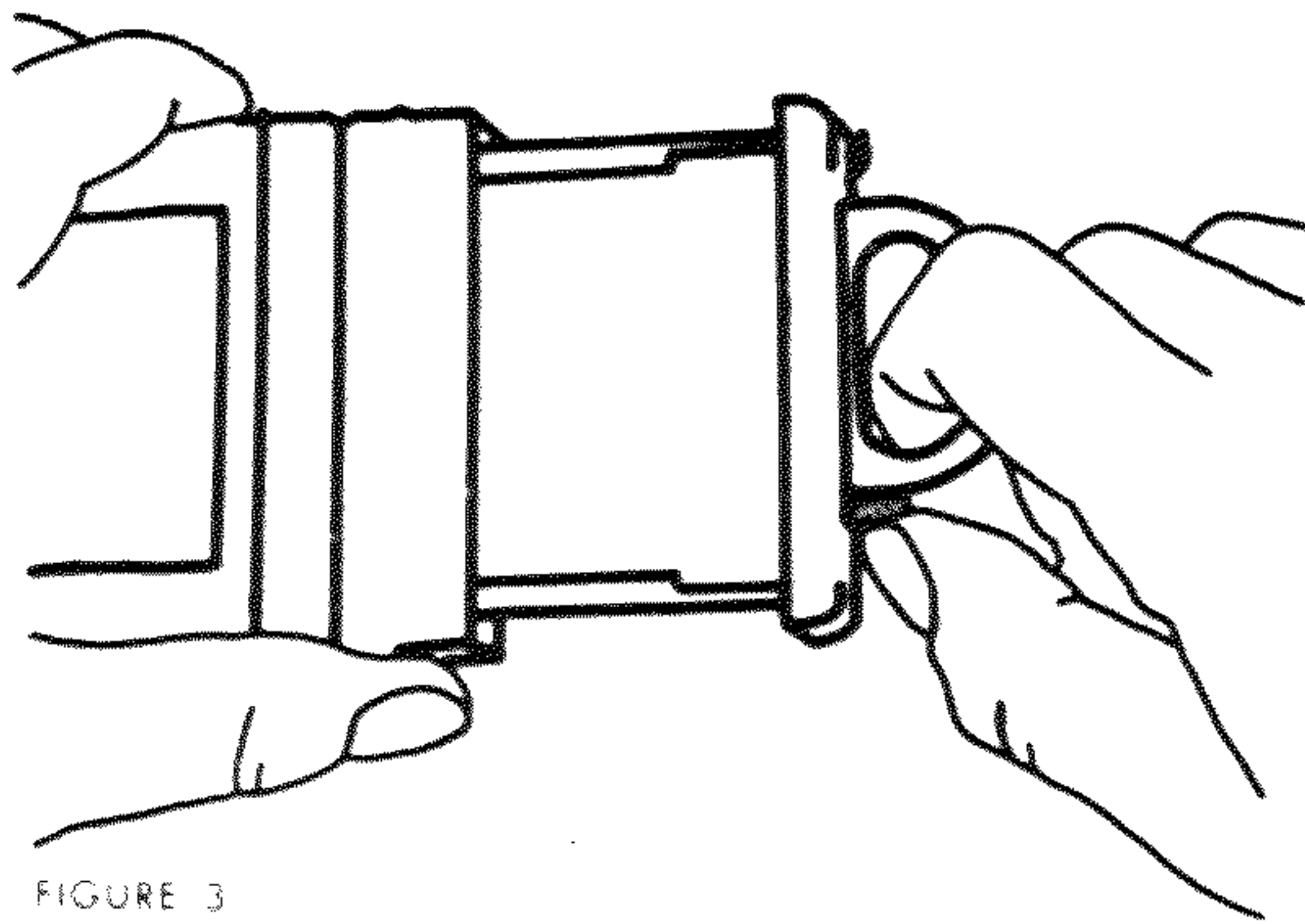


FIGURE 3

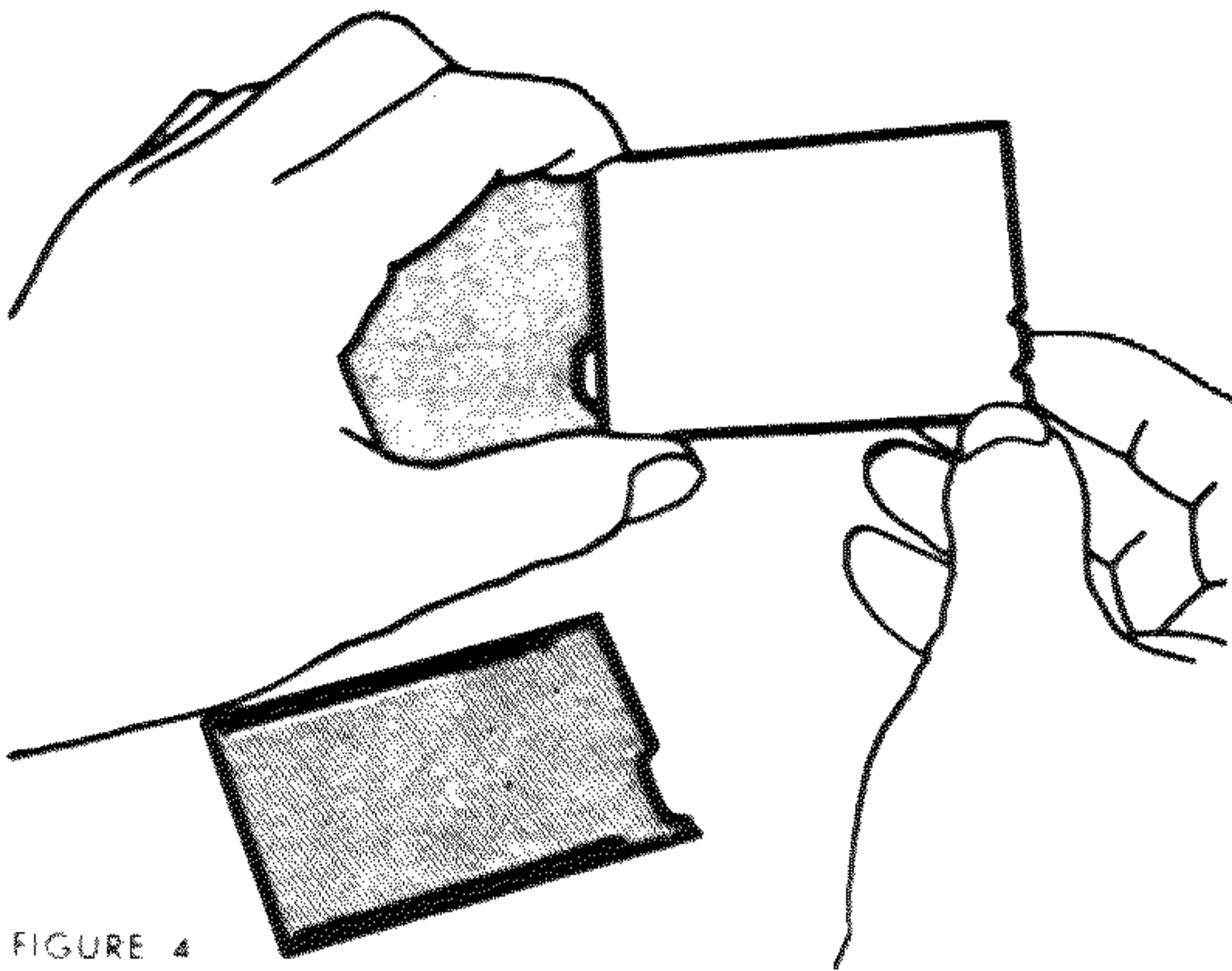


FIGURE 4

Now PULL the slide *all* of the way out and PUSH it *all* of the way back, before shooting.

The first film will spring upward and be locked in the exposed position and the red dot at the back of the holder will be uncovered indicating that a film is in position ready for exposure.

After exposure the first film must be moved out of the way.

To do this, press down with your thumb on the chrome latch, holding it against the slide handle, and PULL the entire film compartment all of the way out. Release the latch and PUSH the entire compartment in with the *handle*. When it is *all* of the way *in*, the exposure counter dial will move to No. 2 and the red dot will be covered indicating that the film is covered and the holder can then be removed from the camera.

The same sequence is followed for all six exposures.

After which an "X" will show on the exposure counter dial and the slide will be locked into the compartment indicating that you have made six exposures. NOTE: The films will be fogged if the film compartment is opened when the holder is not in the camera. To prevent accidental opening be sure the counter dial is set at a numbered position. To release the slide for recycling or loading, turn the dial to No. 1.

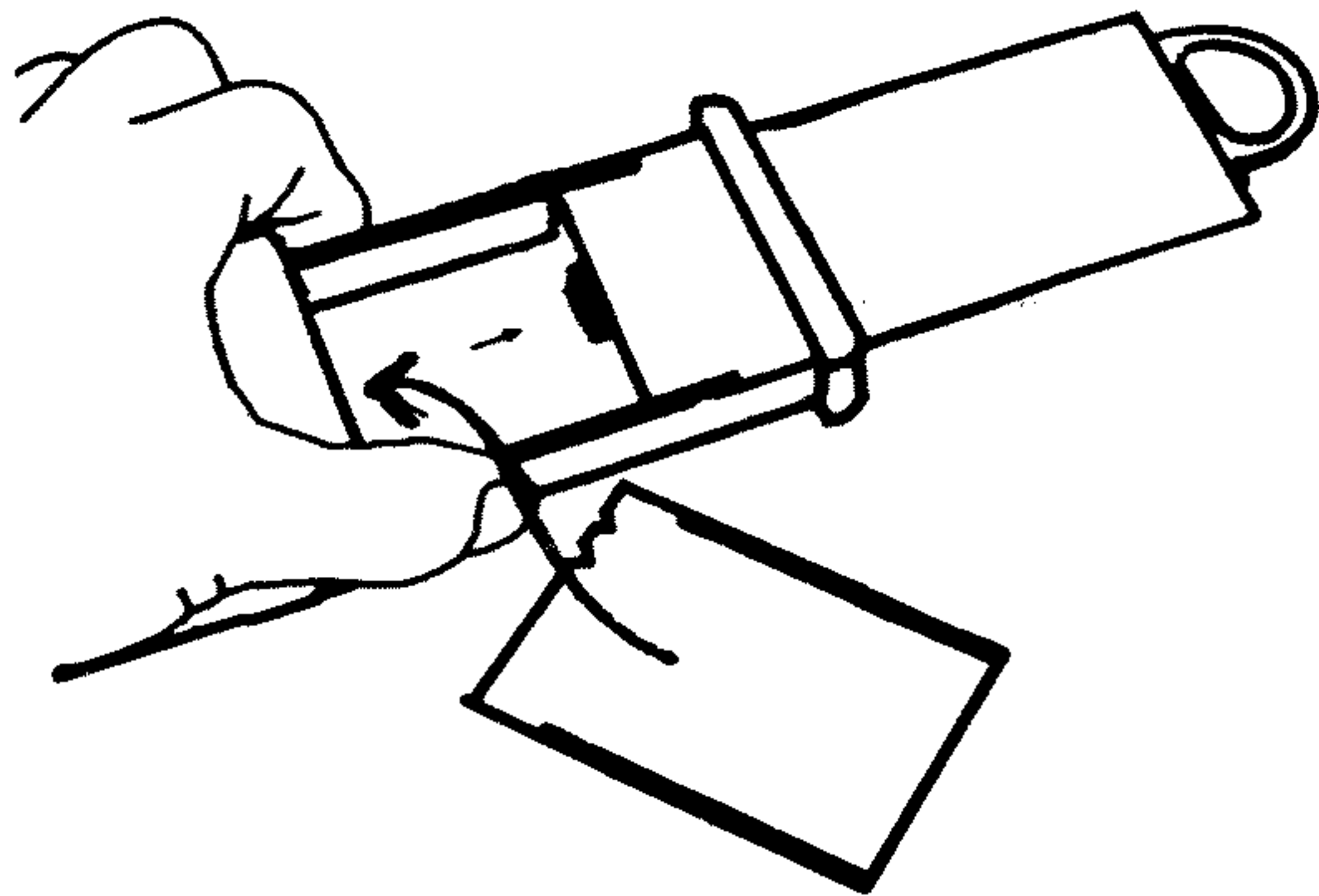


FIGURE 5

To load or unload the Grafmatic film holder

Set the indicator dial on a number, press the chrome latch toward the handle and pull the film compartment out. Hold the compartment in this extended position, and PUSH the slide handle in until it releases the chrome latch, then PULL the slide out. The Film septums have springs under them and will pop up. When loading the septums, keep the film notch over the notch at the open edge of the septum.

Before putting the septums back

into the compartment, be sure that the sliding plate, by the felt strip, has been pushed back out of the way, into the end of the film compartment. Hold the loaded septums by the edges and with the notched end opposite the slide handle, place them down into the compartment with the edges of the fingers on the septum rails. Still holding the two compartments apart as far as possible, press the slide handle against your body, or pull it over the top septum with your fingers, and push it all of the way into the film compartment which may then be pushed into the rest of the holder until it locks. Set the counter dial on No. 1 and you are ready to start shooting.

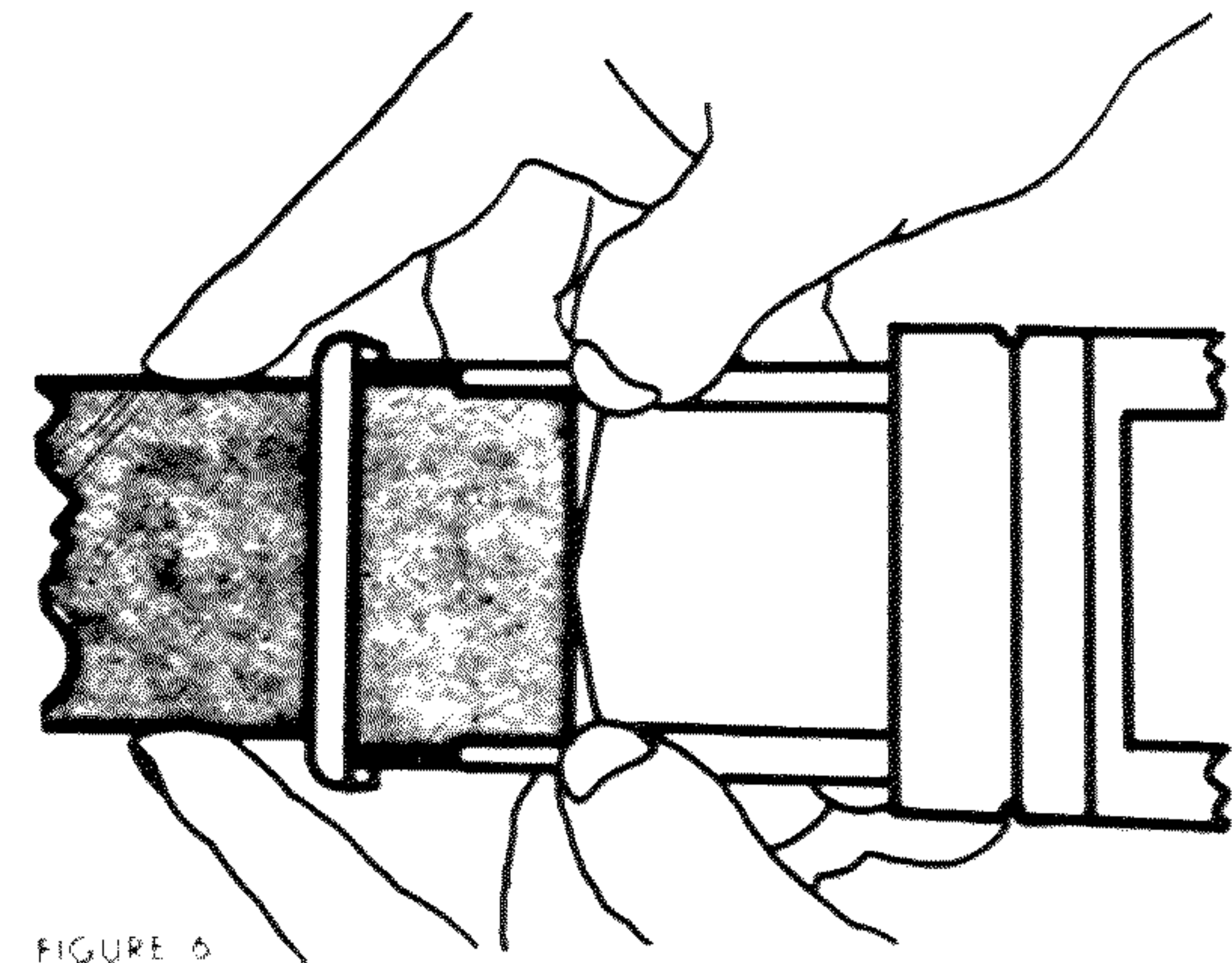


FIGURE 6

The 4x5 Grafmatic has 4 additional features

made possible by its larger size. These features are the automatic negative numbering wheel located at the handle end of the picture opening; the 3 position slide lock wheel; the white memo tab on the back of the holder, and the holder identifier tab recesses.

1. The automatic negative numbering wheel numbers each film to correspond with the number appearing on the exposure dial at the rear of the holder.

2. The knurled slide lock wheel on the end of the holder has three positions. When this is turned so the red dot shows, it indicates that the holder is loaded and not exposed. The intermediate locked position of this wheel can be used to indicate that the holder is loaded, and the film has been exposed. The unlocked position allows the slide to be pulled out.

3. On the back is a white plastic area upon which identifying data can be written. For temporary data, use pencil or crayon; for permanent data, use ink.

4. Recesses for locating identifying tabs are found at the extreme right and left of the negative numbering wheel. GRAFLEX acetate ink or India ink can be used to write on these tabs. Cut the tab $\frac{3}{8}$ " x $\frac{3}{8}$ " from a sheet of clear acetate or cleared piece of film and fasten in place with a small drop of household cellulose acetate cement.

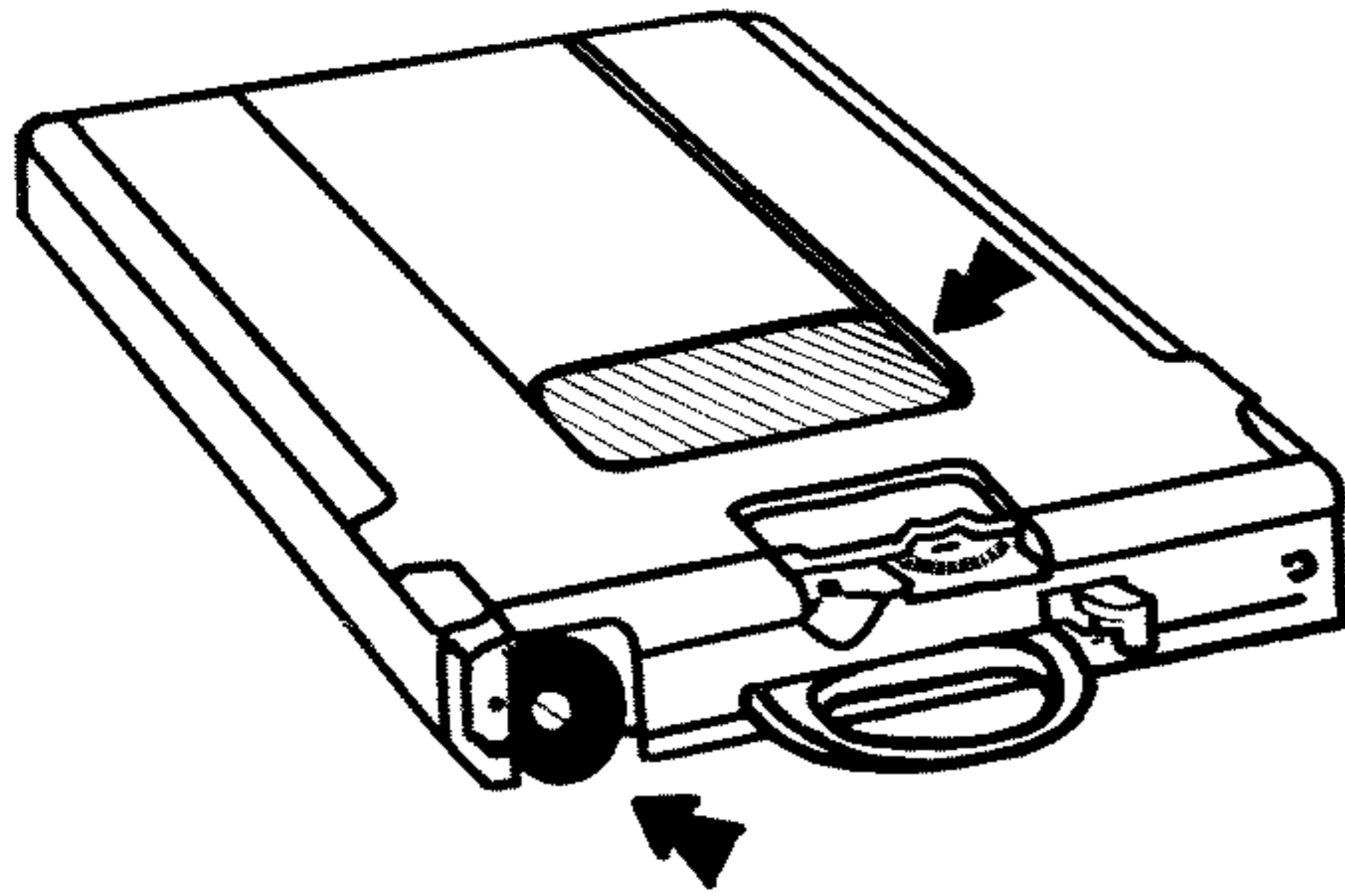


FIGURE 7

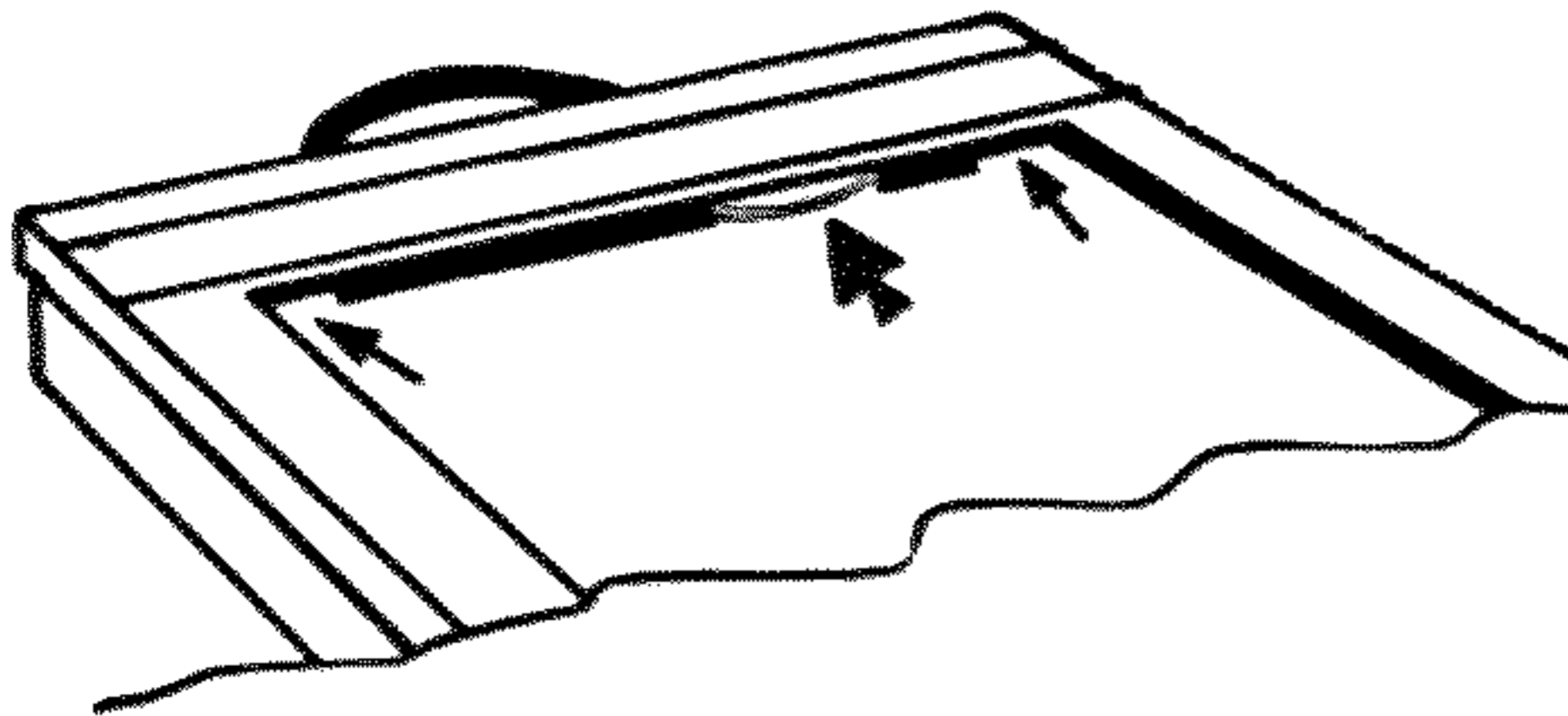


FIGURE 8

Suggestions and Tips

You may find it necessary to remove the Grafmatic from the camera without exposing the film which has been shifted to the exposure position. Simply pull the compartment out as though the film had been exposed and likewise shift the other five septums which will bring that film again to the top, but not in the exposure location. At the "X" or arrow setting flip the dial to No. 1 with the edge of the thumb and continue to recycle. This operation can also be done after the other septums have all been exposed, but in any event the Grafmatic holder *must be in the camera* when the septums are being shifted.

When pulling the slide or film compartment, pull straight outward—not backward—to avoid leverage pressure against the focusing panel or slide locks with attendant danger of light leak.

When the holder is open for loading, note that slight pressure on the button on the underside of the film compartment will release the automatic exposure counter control slide. If the holder is laid on a flat bench, no difficulty will be encountered. Otherwise, it will be necessary to check to make sure that this slide does not extend into the septum chamber before attempting to insert the septums. See Fig. 5.

When loading septums into the film compartment, use the thumb and finger holding them to act as a channel guiding the septums down into place.

All six septums must be in the compartment in order to operate the counting mechanism.

Because of the compact and light-tight design, as well as the movable dark slide feature of the Grafmatic film holder, some care should be exercised in storing or carrying it, to prevent foreign particles from becoming lodged in the front or face of the holder around the edges of the dark slide. It is suggested that the empty holder be blown out occasionally.

When the Grafmatic holder is used in a Graflok Back, slide it under the focusing panel and be sure to lock it in place with the slide locks. If the Grafmatic holder is used in a 2¼ x 3¼ GRAPHIC Back, an additional set of spacer washers may be required beneath the focusing panel springs at the point of attachment to the camera to allow easier insertion of the holder. Since Graphic Backs do not lock the Grafmatic in place, be careful not to pull the holder out during the cycling operation.

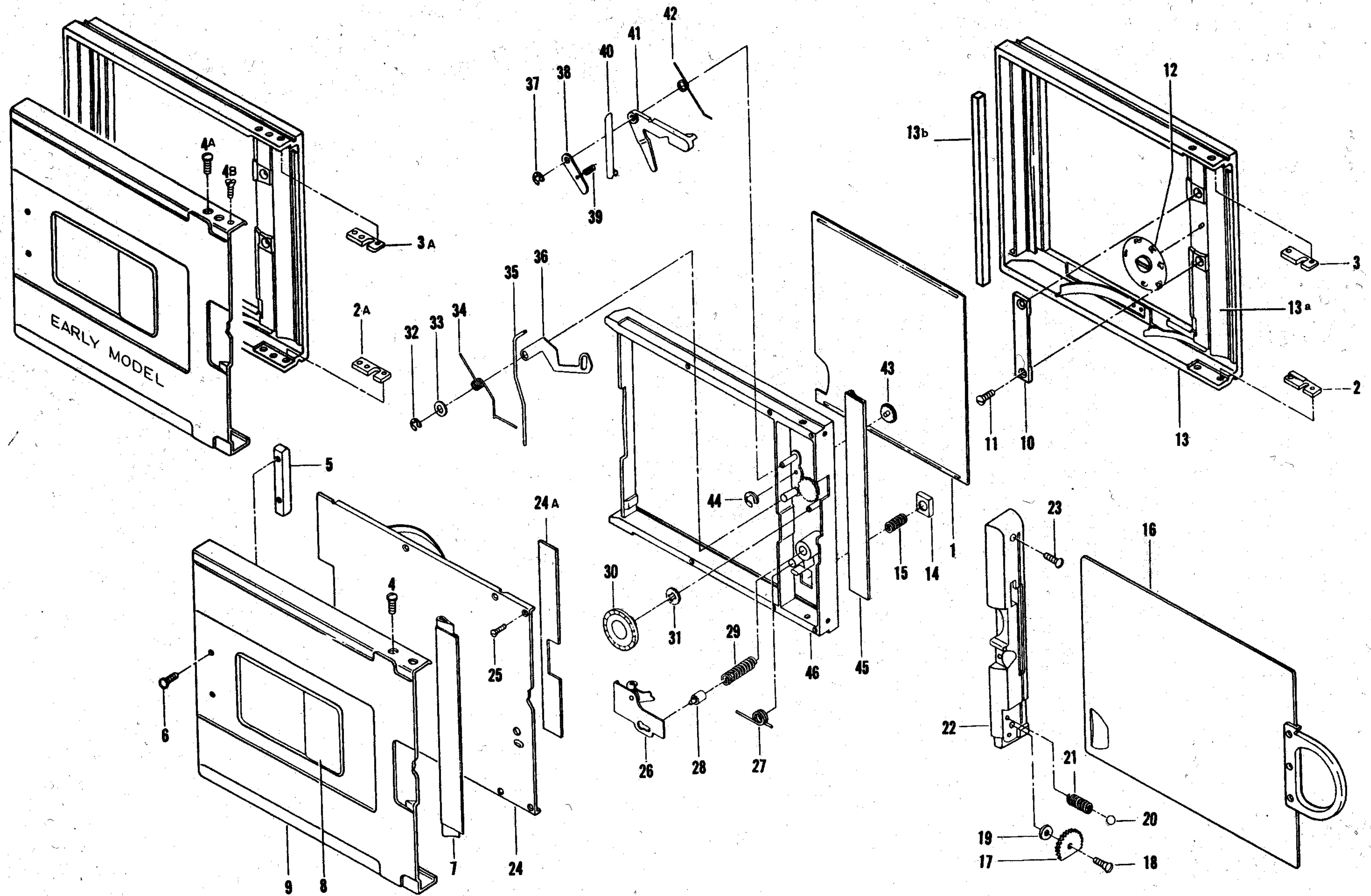


Figure 1. GRAFMATIC 45 (Exploded View)