



**SERVICE INSTRUCTIONS AND PARTS LIST**

**Graflex**

**STROB 500 and GLOBE STROB 500  
Electronic Flash**

**SINGER**  
GRAFLEX DIVISION

THE SINGER COMPANY / GRAFLEX DIVISION, ROCHESTER, NEW YORK

© 1971 GRAFLEX, INC., ROCHESTER, N.Y. U.S.A.

STROB 500 and GLOBE STROB 500 FLASH UNITS

Table of Contents

<u>Paragraph</u>	<u>Title</u>	<u>Page</u>
A.	Introduction	2
B.	Specifications	2
C.	Basic Operating Principals	2
	1. Power Pack	2
	2. Capacitor Pack	3
	3. Lamphead	3
D.	Trouble and Remedy	3
E.	Repairs	5
F.	Diagrams	5
G.	Parts List	8

List of Illustrations

Diagram

A	R. G. Power Pack Schematic Diagram	6
B	A. C. Power Pack Schematic Diagram	6
C	H. V. Power Pack Schematic Diagram	6
D	Capacitor Pack Schematic Diagram	7
E	Lamphead P. C. Board (STROB 500) Schematic Diagram	7
F	Lamphead GLOBE STROB 500 Schematic Diagram	8

Figure

1	STROB 500 Lamp Complete	9
2	STROB 500 Circuit Board Assembly	10
3	STROB 500 Lamp Housing Assembly	12
4	Power Pack Complete	13
5	Capacitor Pack Complete	14
5A	Capacitor Pack Chassis Complete	16
5B	Capacitor Pack Assembly	17
5C	Capacitor Pack Housing Assembly	18
6	Lower Housing Complete (R. G. Model)	19
6A	Chassis Complete	20
7	Lower Housing Complete (A. C. Model)	22
7A	Chassis Complete	23
8	GLOBE STROB 500 Lamp Complete	24
8A	Cover Complete	25

# STROB 500 and GLOBE STROB 500 FLASH UNITS

## A. INTRODUCTION

This manual provides service instructions and parts list for the Graflex STROB 500 and GLOBE STROB 500 electronic flash units. The instructions cover GLOBE STROB 500 and the three basic STROB 500 models; (RG Rechargeable Battery) HV (High Voltage), and (AC Alternating Current). Each flash unit is complete with power pack, consisting of a common top section and a specific power base, and a lamphead. The AC

Model is supplied with a power cord. The parts list section of this manual clearly describes the differences between models.

## B. SPECIFICATIONS

Following is Performance data for the three STROB 500 and the GLOBE STROB 500 flash unit models at the different power settings.

### RG UNIT PERFORMANCE DATA

Unit	Power Watt Sec.	Recycle Time	ECPS Average	Guide No.		Flashes Per Charge	Color Temp.	Flash Duration
				KII ASA 25	CPS ASA 100			
STROB 500	50 (1/4)	3 sec.	1650	51	102	175-225	6800-7000°K	1/1900 sec.
	100 (1/2)	5 sec.	3600	75	150	125-175	6800-7000°K	1/1250 sec.
	200 (full)	10 sec.	7100	110	212	100-125	6800-7000°K	1/850 sec.
GLOBE STROB 500	200 (full)	10 sec.	7100	110	212	100-125		

NiCd battery, shall provide a minimum of 250 charge-discharge cycles to 80% capacity.

### HV UNIT PERFORMANCE DATA

Basic lamphead with High Voltage Dry Battery Power Pack (at 52° coverage)

Unit	Power Watt Sec.	Recycle Time	ECPS Average	Guide No.		Flashes Per Charge	Color Temp.	Flash Duration
				KII ASA 25	CPS ASA 100			
STROB 500	50 (1/4)	2 sec.	1650	51	102	3000*	6800-7000°K	1/1900 sec.
	100 (1/2)	3-4 sec.	3600	75	150	2000*	6800-7000°K	1/1250 sec.
	200 (full)	8-9 sec.	7100	110	212	1000*	6800-7000°K	1/850 sec.
GLOBE STROB 500	200 (full)	8-9 sec.	7100	110	212	1000		

\* Number represents approximate total No. of flashes, to end point of one-half f-stop down, from fresh battery.

ASA = 25 for KII & 100 for CPS

### AC UNIT PERFORMANCE DATA

When operating at 117v, 50-60 cps in conjunction with capacitor top section and either STROB 500 or GLOBE STROB 500 Lamphead, the AC Power Base will derive sufficient power to render system operating equivalent to specification set forth for HV unit with dry battery. This unit will also function reliably over a supply line voltage range of 105-125 volts. However, ECPS, Recycle Time, and Flash Duration may vary approximately ±20% of the normal figures at the extremes of this range.

## C. BASIC OPERATING PRINCIPLES

The STROB 500 consists of three functional sections: a power pack, capacitor pack, and lamphead. The power pack furnishes +450 volts dc for charging the capacitor pack. The power stored in the capacitors is used to trigger the lamp in the lamphead producing the desired flash. A brief func-

tional description of each of these components is contained in the following paragraphs.

### 1. Power Pack

The three STROB 500 power packs all perform the basic function of furnishing +450 volts dc for charging the capacitors. The difference in the three packs evolves from the method used to develop the power. The RG power pack (see Diagram A) employs a 9.6-volt rechargeable battery as a basic power source. The output of the rechargeable battery is converted to ac by an electronic chopper circuit, stepped up by transformer action, and then rectified to produce the +450 volt dc output. The AC power pack (see Diagram B) employs 117 volts, 50-60 cycle ac as a basic source. This voltage is stepped up by a transformer and then rectified by a bridge rectifier to produce +450 volts dc. The HV power pack (see Diagram C) employs a special dry battery to directly supply the needed 450 volt power.

## 2. Capacitor Pack

The capacitor pack (see Diagram D) controls and stores battery power for use in operating the strobe lamp. Four capacitors (C-4 through C-7) are connected in parallel and are controlled by pushbutton switches S1A, S1B, and S1C to provide 1/4, 1/2, and full power charge. When S1A is closed, one capacitor is charged, providing 1/4 power charge. When S1A and S1B are closed, two capacitors are charged, providing 1/2 power charge. When all three switches (S1A, S1B, and S1C) are closed, all four capacitors are charged, providing full power charge. A safety interlock switch (S2) is closed to discharge the capacitors any time the power and capacitor packs are separated.

## 3. Lamphead

The lamphead (Diagram E & F) contains the strobe

lamp and electronic circuits for controlling lamp operation. The electronic circuits include an indicator lamp to indicate the capacitor pack charge condition, and a lamp firing circuit. Sync/slave switch SW1 selects the control mode of the circuit. Control may be synchronized with the camera shutter or slaved to another flash unit. Switch SW2 is a push-button switch used for testing and manual operation of the lamphead.

## D. TROUBLE AND REMEDY

The following table lists common troubles likely to be encountered by service personnel. The probable cause of the trouble is given along with remedy action. Use the schematic diagrams contained in this manual in conjunction with the Trouble and Remedy Table. These diagrams should also be used for further circuit analysis and electrical repair.

TROUBLE	CAUSE	REMEDY
LAMPHEAD Fails to fire.	Defective power cord and/or shutter cord.	Replace.
	Lamp (FT-1) burned out.	Replace.
Ready lamp inoperative.	Trigger transformer (T-1) defective (defective winding or broken wire).	Replace.
	STROB 500 Capacitor C-2 defective	Replace.
	GLOBE STROB Capacitor C-1 defective	Replace.
	No capacitor charge.	Check power pack source for previously listed troubles.
		Check shorting switch (S-2) for opening. Replace if necessary.
RG POWER PACK Battery run down. Does not hold charge.	Defective component on PEC (1) or faulty R-1.	Replace component, and readjust R-1 for triggering at 380v.
	LASCR-1 defective.	Replace.
	Capacitor C-5 or diode D-1 shorted or high leakage.	Replace.
	Defective component in PEC (2) or (1).	Replace PEC (2) or (1).
	Defective cell in battery.	Check terminal voltage of battery. Replace battery.
		NOTE: Full charge battery measures 10-11 volts no load.

TROUBLE	CAUSE	REMEDY
<p><b>RG POWER PACK (Cont.)</b></p> <p>Battery run down. Does not hold charge. (Cont.)</p> <p>Non-functional with Lamp-head (Lamphead does not fire)</p>	<p>Power left "on" when not in use</p> <p>Improper storage of battery</p> <p>Regulator circuit not working properly</p> <p>Defective diode (D-2)</p> <p>Component of the oscillator circuit defective</p> <p>Dirty contacts on relay (K-1)</p> <p>Bad or discharged battery</p>	<p>Check capacitors for leakage. Replace capacitors if necessary and recharge battery</p> <p>Use plastic cover (supplied with battery) to prevent battery contacts coming in contact with anything made of metal. Check terminal voltage and if abnormally low, replace or recharge battery</p> <p>Check TR-3 and TR-4, K-1 and L-1. If defective, replace. Readjust VR-1 if necessary for triggering at 450 to 460 v level.</p> <p>Replace diode</p> <p>Check transistor (TR-1), transistor (TR-2) and transformer. Replace defective component</p> <p>Burnish contacts on relay or replace relay</p> <p>Recharge battery and check terminal voltage. If battery does not take a charge, replace.</p>
<p><b>HV BATTERY PACK</b></p> <p>Insufficient battery life</p> <p>AC Power Pack inoperative</p>	<p>Leaky capacitors</p> <p>No DC voltage across jacks J-1 and J-2</p>	<p>Check capacitors for leakage and make replacement</p> <p>Check rectifier (D-2) and replace if defective</p> <p>Check transformer (T-2) for continuity of winding and replace if defective</p> <p>Check resistor (R-10) for continuity. If open, replace.</p> <p>Check AC line cord for open and replace if necessary.</p>
<p><b>CAPACITOR PACK</b></p> <p>Excessive battery drain</p>	<p>Leaky capacitors</p>	<p>Check all capacitors in capacitor pack and replace defective capacitors.</p> <p>NOTE: The position of power switch which causes excessive battery drain can indicate the defective capacitor.</p>

TROUBLE	CAUSE	REMEDY
<b>CAPACITOR PACK (Cont.)</b>		
Excessive battery drain (Cont.)	Shorting switch (S-2) not opening	Replace switch
Excessive voltage on pins when capacitor pack is removed	Obstruction within capacitor pack preventing the movement of the shorting switch (S-2) or defective switch	Remove obstruction or replace defective switch
	Pitted contacts on shorting switch (S-2)	Burnish contacts or replace switch
Half or full power output regardless of pushbutton setting	Shorted switch S1B and/or S1C	Replace defective switch

**E. REPAIRS**

Repairs on the equipment are limited to parts replacement. Determine the defective part through Trouble and Remedy, or circuit analysis. Refer to the parts list for parts information.

Disassemble the equipment only to the extent necessary to remove the defective component.

Check electrical components for loose or faulty connections, open or short circuits, burnt parts caused by overheating. Replace any component that is questionable.

**WARNING**

BEFORE PERFORMING ANY REPAIRS ON THE CAPACITOR PACK, CONNECT A 500-OHM, 25-WATT RESISTOR ACROSS THE TERMINALS OF EACH CAPACITOR IN TURN FOR A MINIMUM OF TEN SECONDS TO BE CERTAIN CAPACITORS ARE DISCHARGED. TAKE PROPER PRECAUTIONS TO AVOID CONTACT WITH HIGH-VOLTAGE LEADS OR TERMINALS UNTIL CAPACITORS ARE DISCHARGED. INJURY MAY RESULT IF THESE PRECAUTIONS ARE NOT OBSERVED.

**F. SCHEMATIC DIAGRAMS**

Schematic Diagrams contained in this are:

- Diagram A. RG Power Pack
- Diagram B. AC Power Pack
- Diagram C. HV Power Pack
- Diagram D. Capacitor Pack
- Diagram E. Lamphead, STROB 500
- Diagram F. Lamphead, GLOBE STROB

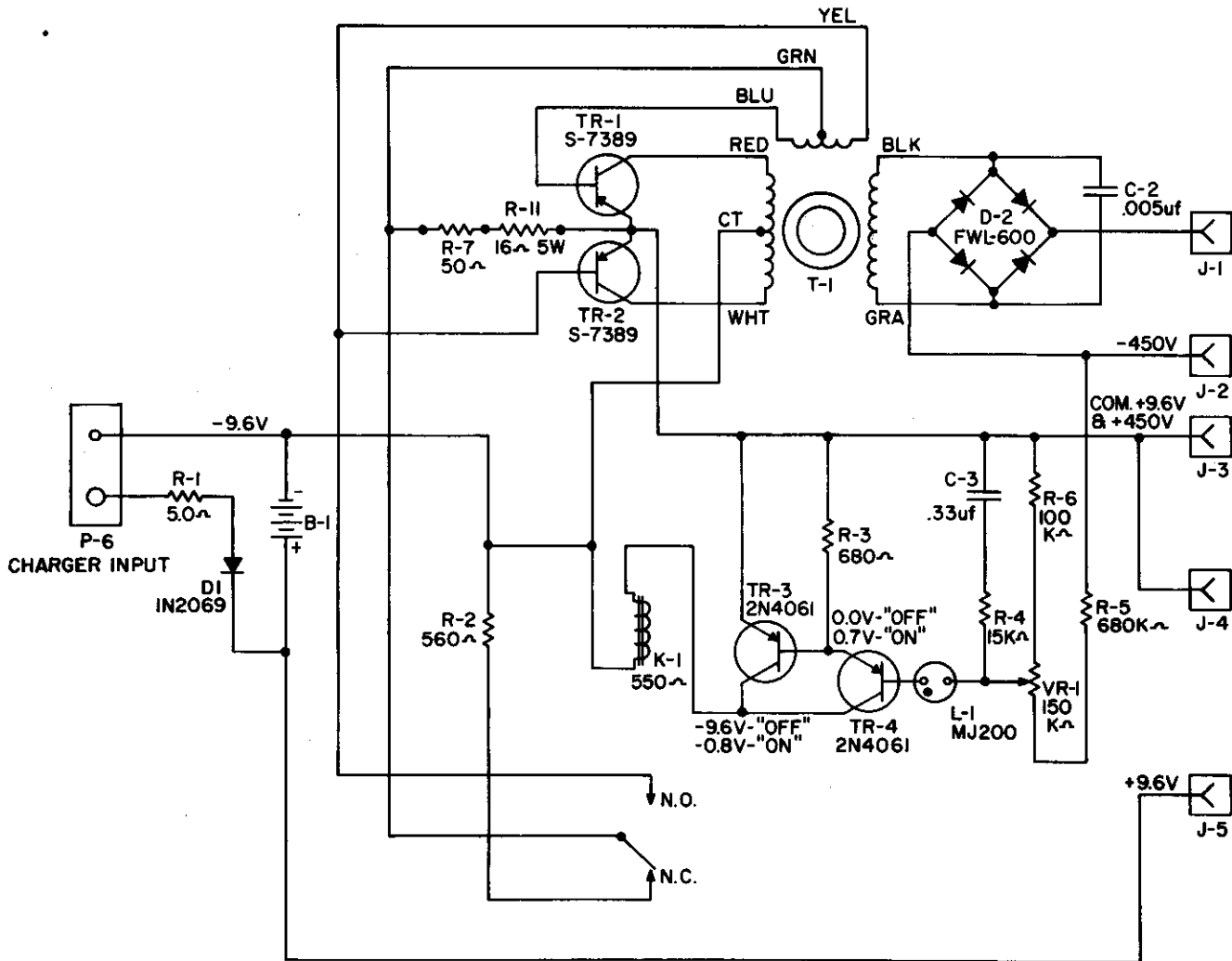


DIAGRAM A. RG POWER PACK SCHEMATIC DIAGRAM

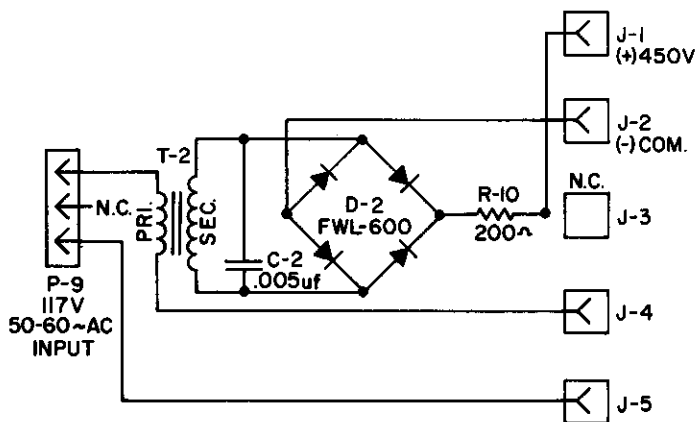


DIAGRAM B. AC POWER PACK SCHEMATIC DIAGRAM

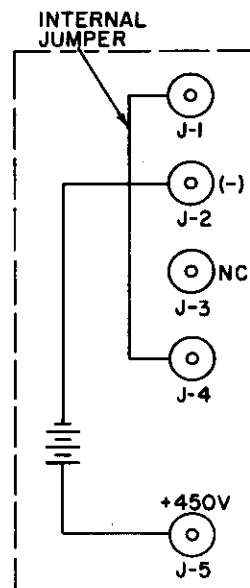


DIAGRAM C. HV POWER PACK SCHEMATIC DIAGRAM

STROB 500 and GLOBE STROB 500 FLASH UNITS

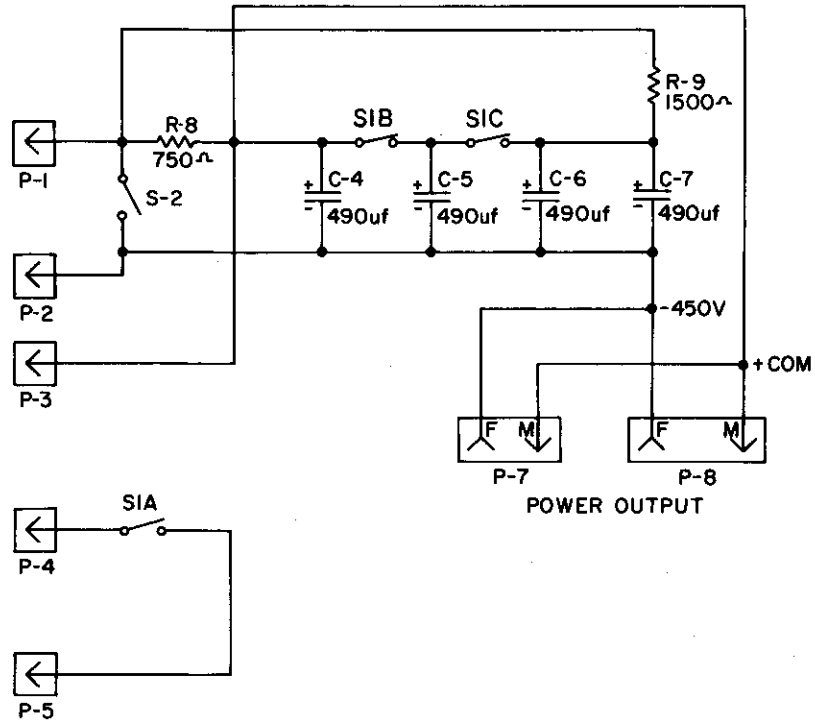


DIAGRAM D. CAPACITOR PACK SCHEMATIC DIAGRAM

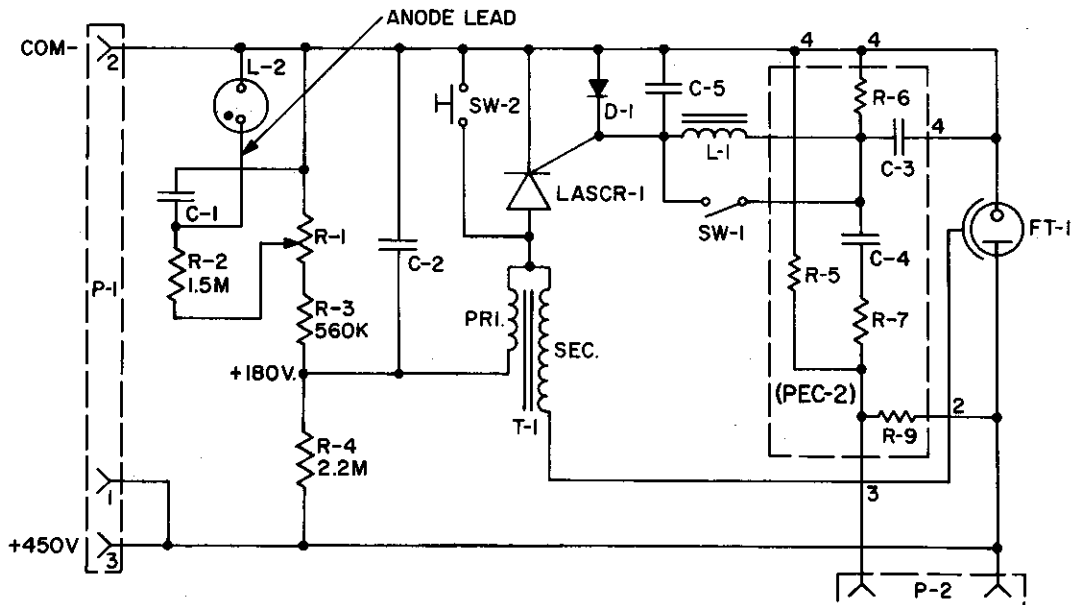


DIAGRAM E. STROB 500 LAMPHEAD PC BOARD SCHEMATIC DIAGRAM



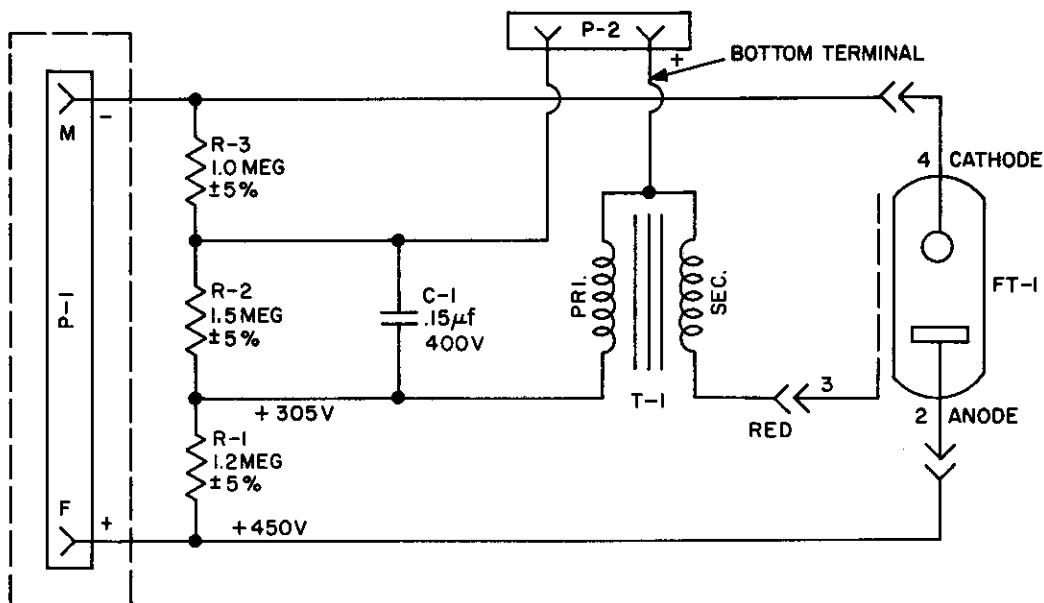


DIAGRAM F. LAMPHEAD GLOBE STROB 500 SCHEMATIC DIAGRAM

#### G. PARTS LIST

To aid in the repair and replacement of component parts, breakdown of assemblies and subassemblies are arranged in disassembly order. The relationship of the assemblies, subassemblies, and detail parts is shown by indent. All parts common to a given assembly, or subassembly, are indented one space and listed directly under the item.

To order a part, identify and locate the part by use of the illustrations. Note the index number for the part and cross reference it to the parts list. The part number, description, and quantity required will be found opposite the index number. NEVER order by figure and index number. Order parts by part number, and description. Specify quantity required.

In certain cases, it may be more desirable to replace a complete assembly in lieu of overhauling or rebuilding with detailed parts. Assemblies are determined by indent.

The Code Column, when used, shows parts common to a specific model. The column showing x's indicate the parts required for the specific model.

STROB 500 and GLOBE STROB 500 FLASH UNITS

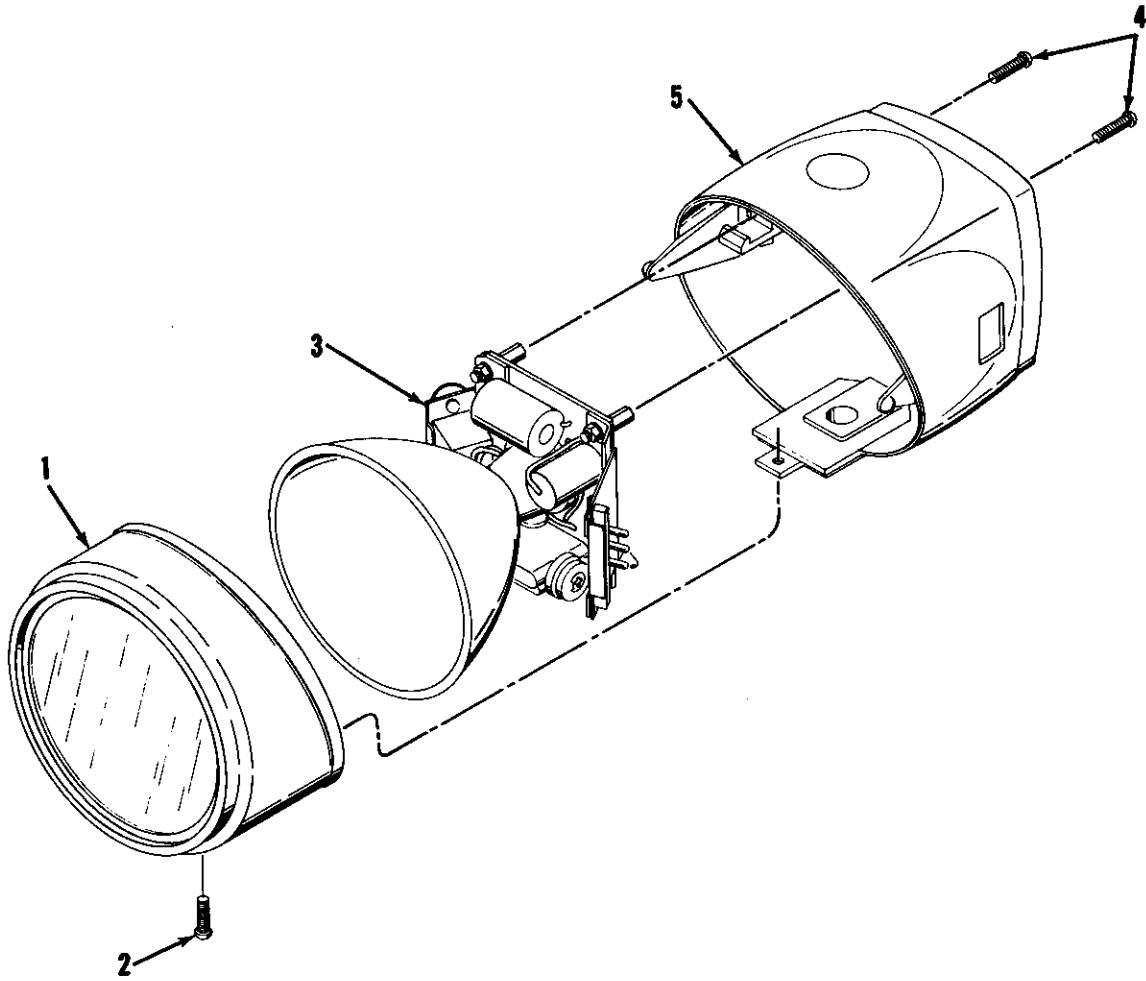


Figure 1. STROB 500 LAMP COMPLETE

Figure and Index No.	Part Number	1	2	3	4	5	Nomenclature	Qty.
1-	40750G1						Lamp Complete - STROB 500 (Cat. No. 2241) . . . . .	1
-1	40751G1						. Cover Assembly - Lamp Housing . . . . .	1
	39474P10						. . Cushion . . . . .	4
	40780						. . Shield - Reflector . . . . .	1
	Attaching Part							
-2	125-4R6H						. Screw - Thread Forming, No. 4 x 3/8 oval hd . . . . .	1
	----***----							
-3	40758G1						. Board Assembly - Circuit (Figure 2) . . . . .	1
	Attaching Part							
-4	137-4R-5H						. Screw - Machine, No. 4 x 5/16 in. lg. Thread Cutting . . . . .	2
	----***----							
-5	40752G1						. Housing Assembly - Lamp (Figure 3) . . . . .	1

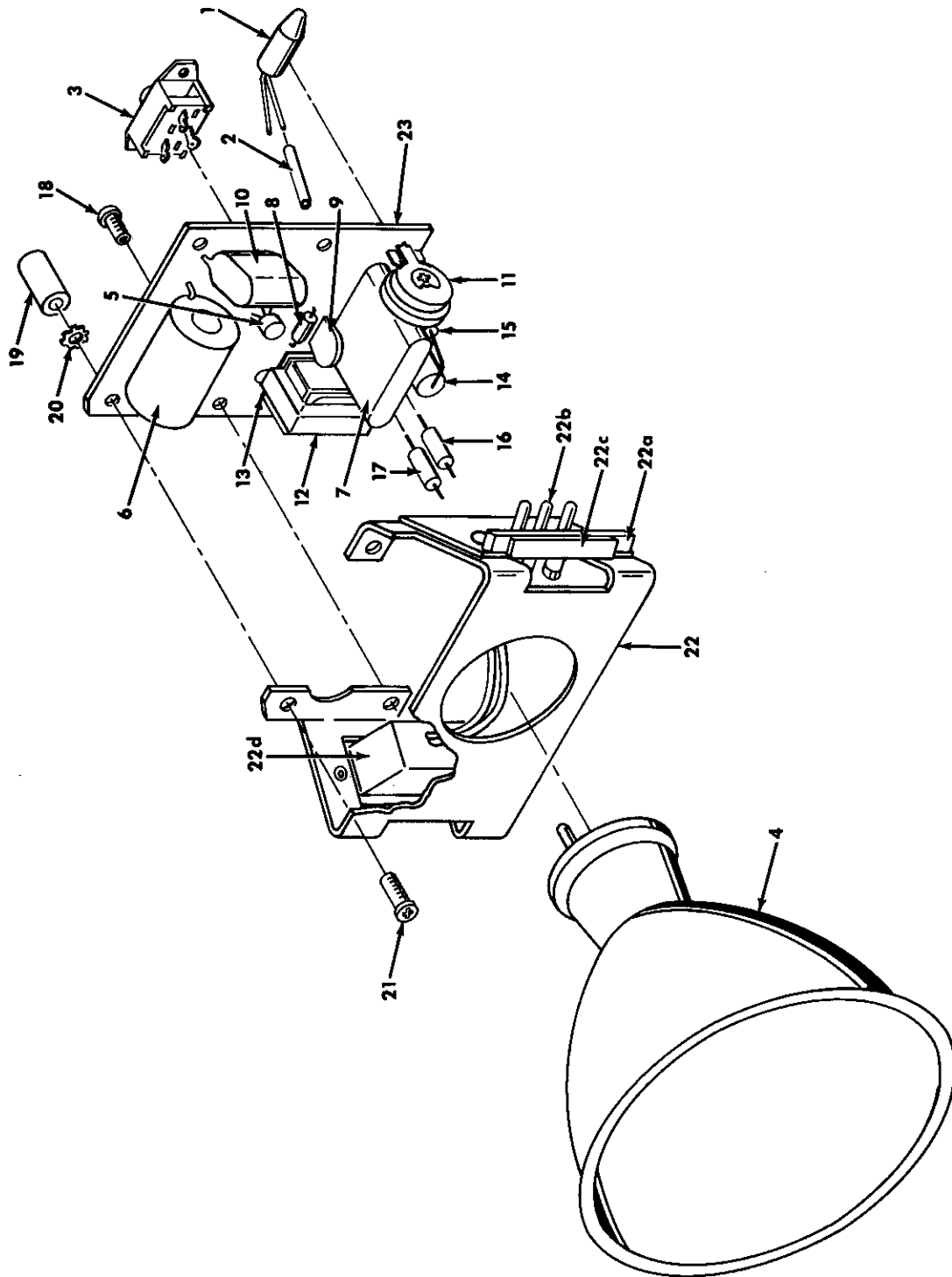


FIGURE 2. STROB 500 CIRCUIT BOARD ASSEMBLY

STROB 500 and GLOBE STROB 500 FLASH UNITS

Figure and Index No.	Part Number	1	2	3	4	5	Nomenclature	Qty.
2-	40758G1						Board Assembly - Circuit . . . . .	Ref.
-1	40769	.	.	.	.	.	Lamp - Indicator (L-2) . . . . .	1
-2	37238P9	.	.	.	.	.	Tubing . . . . .	1
-3	40768P1	.	.	.	.	.	Switch (SW-1) . . . . .	1
-4	40765P1	.	.	.	.	.	Lamp, Flash (FT-1) . . . . .	1
-5	40763P2	.	.	.	.	.	Rectifier, Light Sensitive (LASCR-1) . . . . .	1
-6	40764P1	.	.	.	.	.	Transformer (T-1) . . . . .	1
-7	40767P1	.	.	.	.	.	Circuit, Electronic . . . . .	1
-8	41072P1	.	.	.	.	.	Diode 1N270 (D-1) . . . . .	1
-9	414-B-47-2-K	.	.	.	.	.	Capacitor, .0047 uf ±10% 500V (C-5) . . . . .	1
-10	42756P1	.	.	.	.	.	Capacitor, 0.15 uf ±20% 400V (C-2) . . . . .	1
-11	40761P3	.	.	.	.	.	Potentiometer, 1 meg 1/2W ±5% (R-1) . . . . .	1
-12	40762P1	.	.	.	.	.	Inductor (L-1) . . . . .	1
-13	40779	.	.	.	.	.	Insulator . . . . .	1
-14	38738P5	.	.	.	.	.	Capacitor, .068 uf, 100V ±10% (C-1) . . . . .	1
-15	402-15-5-3	.	.	.	.	.	Resistor 1.5 meg 1/2W ±5% (R-2) . . . . .	1
-16	402-22-5-2	.	.	.	.	.	Resistor 2.2 meg 2/3W ±10% (R-4) . . . . .	1
-17	402-56-4-2	.	.	.	.	.	Resistor 560K 1/2W ±10% (R-3) . . . . .	1
	Attaching Parts							
-18	121-4R3H	.	.	.	.	.	Screw - Thread Forming No. 4 x 3/16 in. lg. . . . .	2
-19	41086-6	.	.	.	.	.	Spacer . . . . .	2
-20	220-4H	.	.	.	.	.	Washer . . . . .	2
-21	102-4R5H	.	.	.	.	.	Screw - Machine No. 4-40 x 5/16 Round Head . . . . .	2
	----***----							
-22	40786G1	.	.	.	.	.	Receptacle and Bracket Assembly . . . . .	1
-22a	39474P11	.	.	.	.	.	Seal . . . . .	1
-22b	40790G1	.	.	.	.	.	Receptacle Assembly - Power Cord (with wire leads) . . . . .	1
	40771P1	.	.	.	.	.	Receptacle (less wire leads) . . . . .	1
	Attaching Parts							
	175-5-14K	.	.	.	.	.	Rivet . . . . .	2
	----***----							
-22c	40772	.	.	.	.	.	Cover . . . . .	1
-22d	40775P1	.	.	.	.	.	Receptacle - Shutter Trip Cord . . . . .	1
	Attaching Parts							
	175-6-13	.	.	.	.	.	Rivet . . . . .	2
	41846-8	.	.	.	.	.	Washer Flat . . . . .	2
		.	.	.	.	.	Bracket . . . . .	NHA
-23	40759P1	.	.	.	.	.	Board, Circuit . . . . .	1

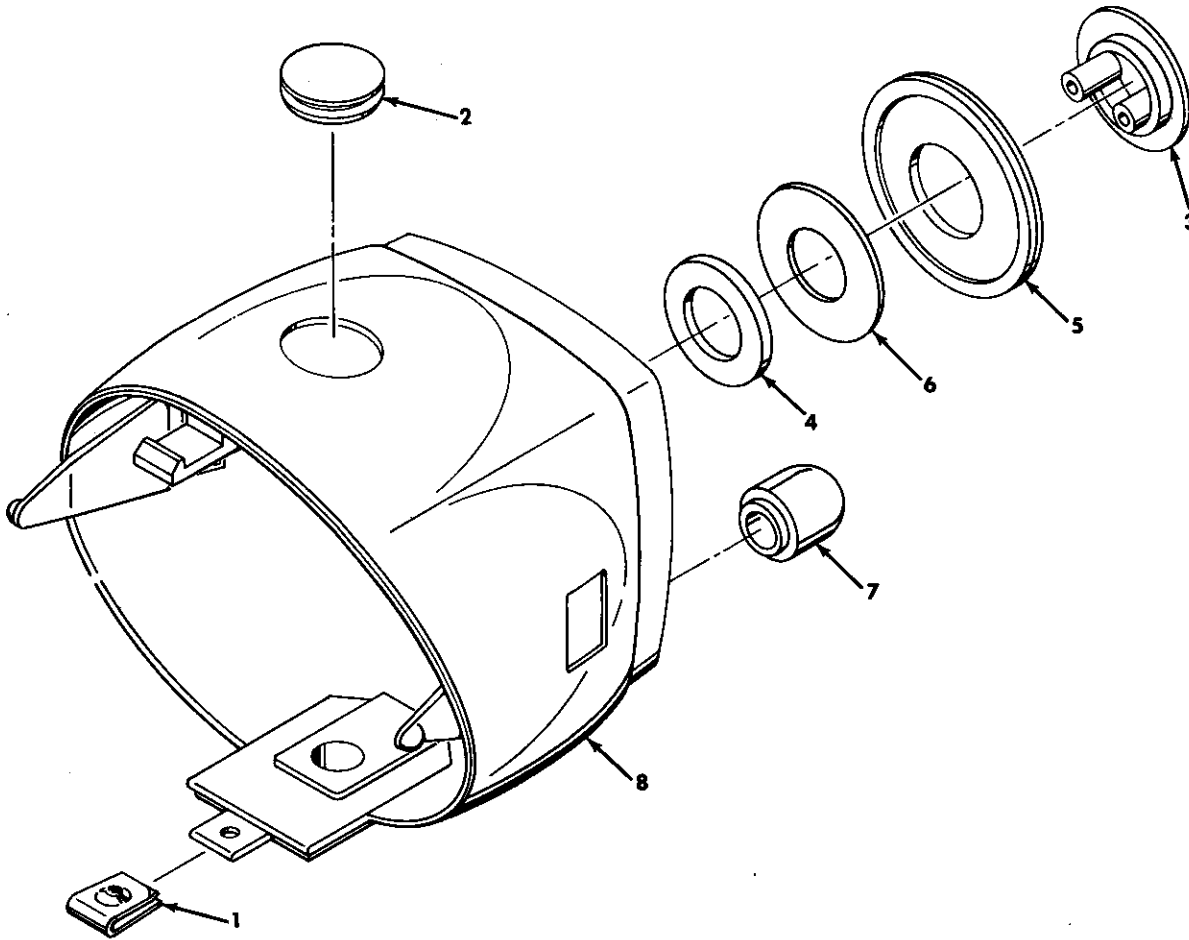


Figure 3. LAMP HOUSING ASSEMBLY

Figure and Index No.	Part Number	1	2	3	4	5	Nomenclature	Qty.
3-	40752G1						Housing Assembly - Lamp . . . . .	Ref.
-1	40815						. Nut - Speed . . . . .	1
-2	40819P1						. Cap - Switch . . . . .	1
-3	40756P2						. . Hub - Exposure Calculator . . . . .	1
-4	38500-15						. Washer - Flat, 1.281 x 0.844 x 0.078 . . . . .	1
-5	40760P1						. Disc - Exposure Calculator . . . . .	1
-6	225-2						. Washer . . . . .	1
-7	43031						. Cap . . . . .	1
-8							. Housing Subassembly (includes switch SW-2) . . . . .	Ref.

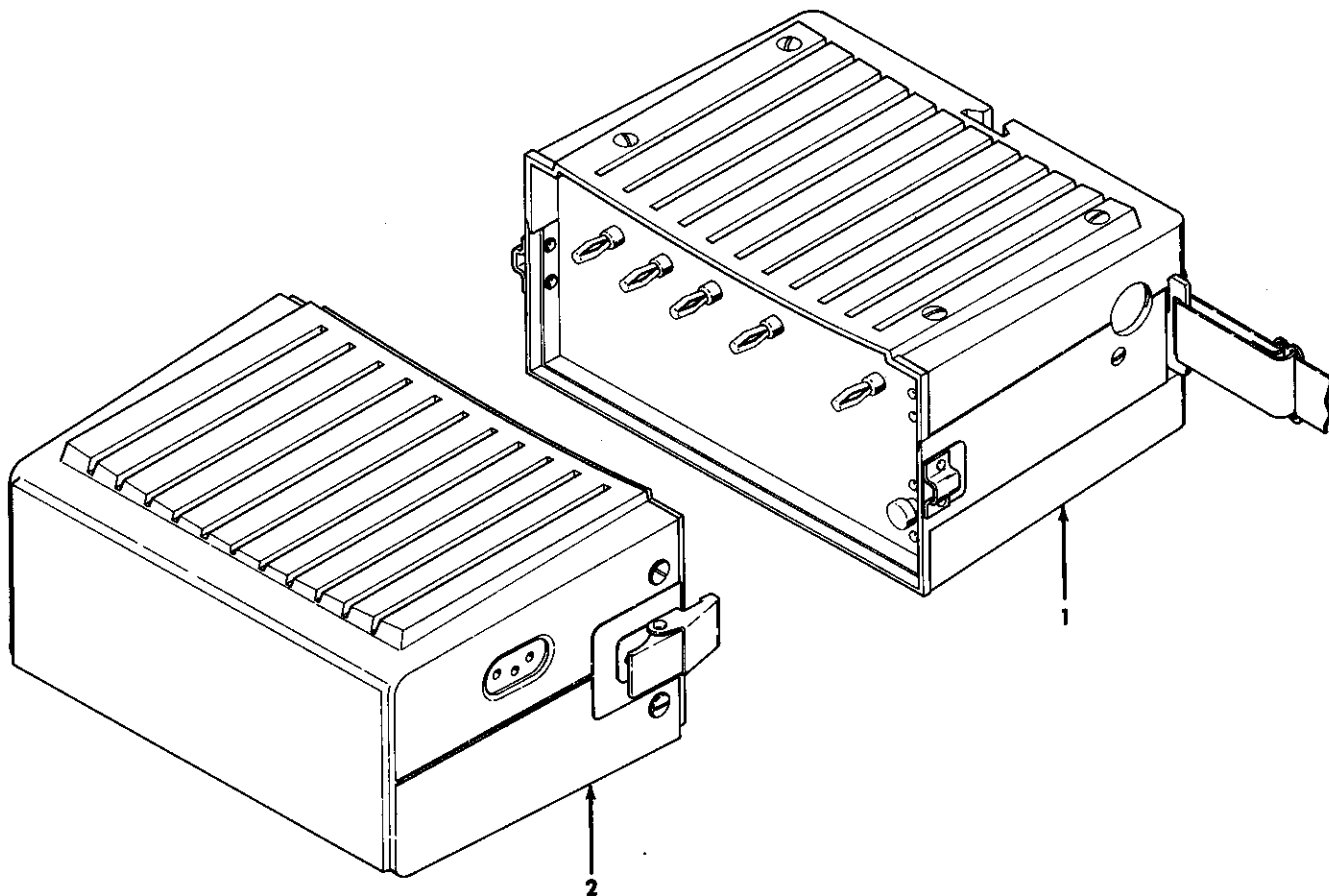


Figure 4. POWER PACK COMPLETE

Figure and Index No.	Part Number	1	2	3	4	5	Nomenclature	Qty.	Code
4-	40830G1						Pack Complete - Power, HV Model (Cat. No. 2215).....	1	X--
	40830G2						Pack Complete - Power, RG Model (Cat. No. 2216).....	1	-X-
	40830G3						Pack Complete - Power, AC Model (Cat. No. 2219).....	1	--X
-1	40831G1						. Pack Complete - Capacitor (Figure 5) .....	1	XXX
-2	40857G2						. Housing Assembly - Lower (Cat. No. 2237).....	1	X--
	40791P1						. . Nameplate .....	1	X--
	40793P2						. . Plate, Model .....	1	X--
	40881G1						. Housing Complete - Lower (Figure 6) Cat. No. 2238.....	1	-X-
	40881G3						. Housing Complete - Lower (Figure 7) Cat. No. 2239.....	1	--X

STROB 500 and GLOBE STROB 500 FLASH UNITS

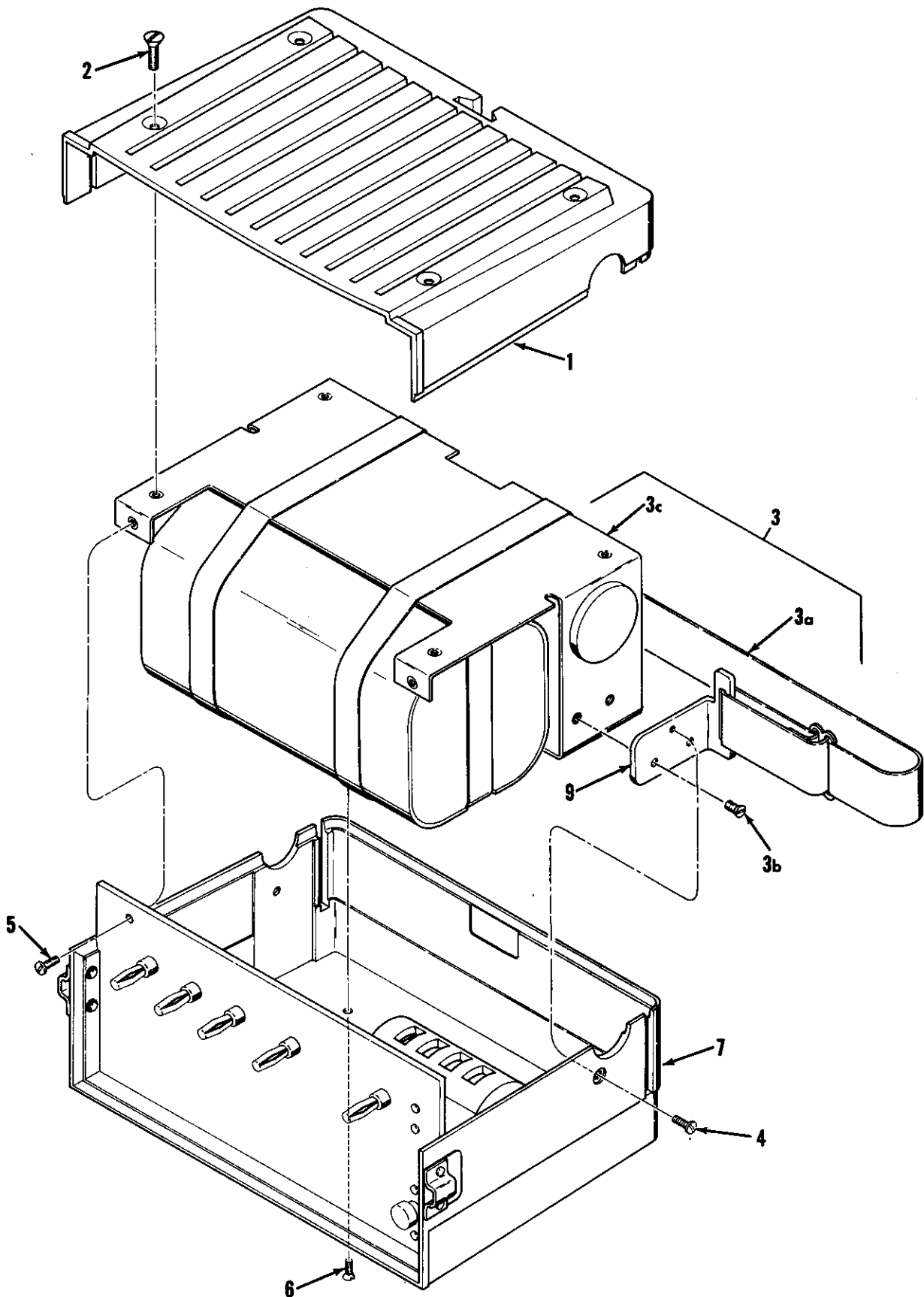


Figure 5. CAPACITOR PACK COMPLETE

STROB 500 and GLOBE STROB 500 FLASH UNITS

Figure and Index No.	Part Number	1	2	3	4	5	Nomenclature	Qty.
5-	40831G1						Pack Complete - Capacitor .....	Ref.
-1	40832P1						. Cover - Power Pack .....	1
	Attaching Part							
-2	104-8-8T						. Screw - Machine, No. 8-32 x 5/8 oval hd .....	4
	----***----							
-3							. Chassis Complete (with strap).....	1
-3a	40854G2						. . Strap Complete .....	1
	Attaching Part							
-3b	100-8-5H						. . Screw - Machine, No. 8-32 x 5/16 flat hd .....	4
	----***----							
-3c	40846G1						. . Chassis Complete (Figure 5A).....	1
	Attaching Parts							
-4	104-6-6T						. Screw - Machine, No. 6-32 x 3/8 oval hd (steel) .....	2
-5	121-6-4H						. Screw - Thread Forming, No. 6 x 1/4 pan hd .....	2
-6	104B6-6K						. Screw - Machine, No. 6-32 x 3/8 oval hd (brass).....	2
	----***----							
-7	40833G1						. Housing Assembly - Power Pack (Figure 5C).....	1
-8	40855P1						. Bracket, Front (not shown).....	1
-9	40855P2						. Bracket, Rear .....	1



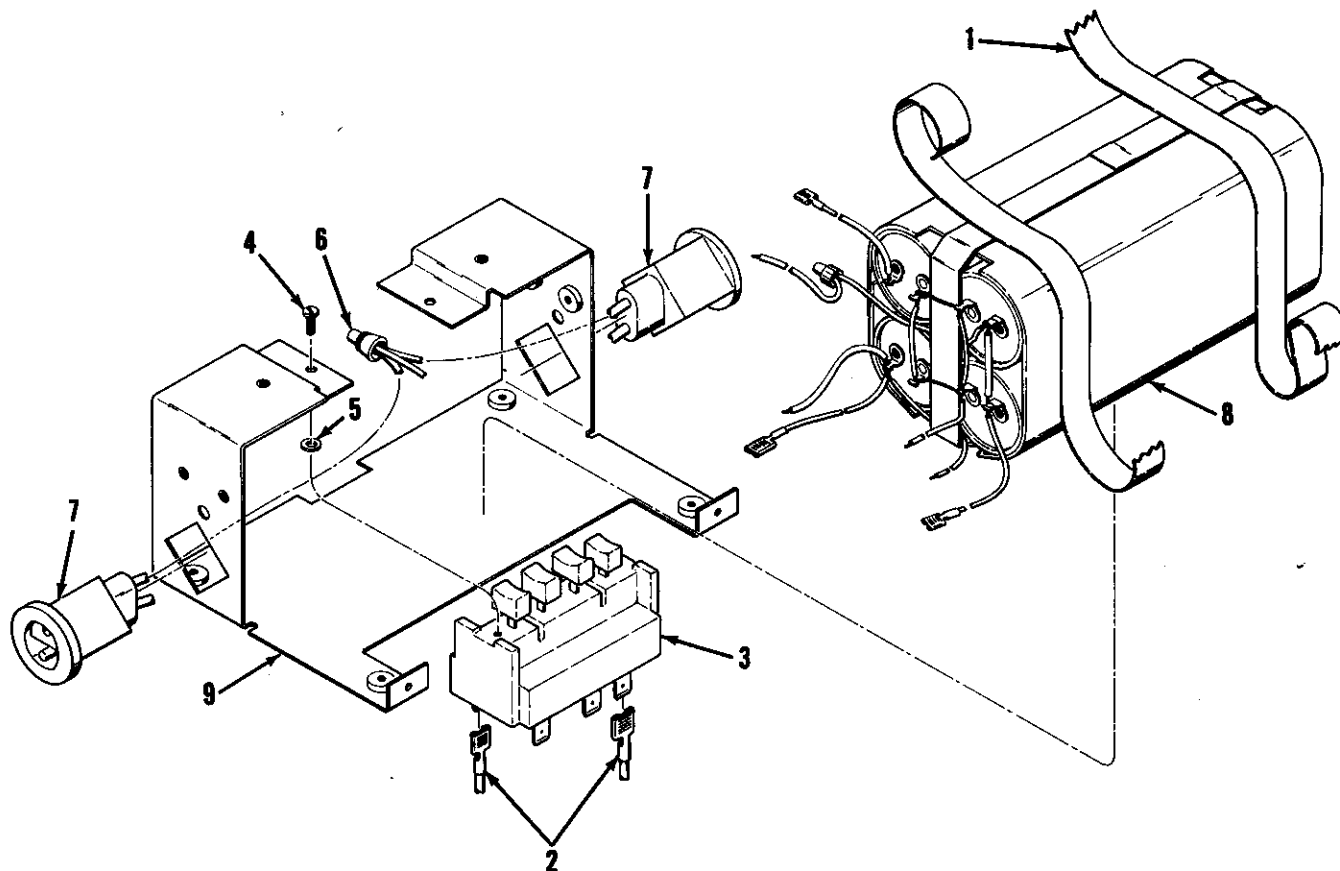


Figure 5A. CAPACITOR PACK CHASSIS COMPLETE

Figure and Index No.	Part Number	1	2	3	4	5	Nomenclature	Qty.
5A-	40846G1						Chassis Complete - Capacitor Pack. . . . .	Ref.
-1							. Tape. . . . .	LP
-2	38998						. Terminal. . . . .	2
-3	40847P1						. Switch (S-1A, S-1B, S-1C) . . . . .	1
	Attaching Parts							
-4	131-6-6H						. Screw - Thread Cutting, No. 6 x 3/8 pan hd . . . . .	2
-5	33500-24H						. Washer - Flat, 0.317 x 0.150 x 0.065 . . . . .	2
	-----							
-6	37766						. Connector - Wire . . . . .	1
-7	40792P1						. Receptacle. . . . .	2
-8	40852G1						. Pack Assembly - Capacitor (Figure 5B) . . . . .	1
-9	40849G1						. Chassis Assembly. . . . .	1

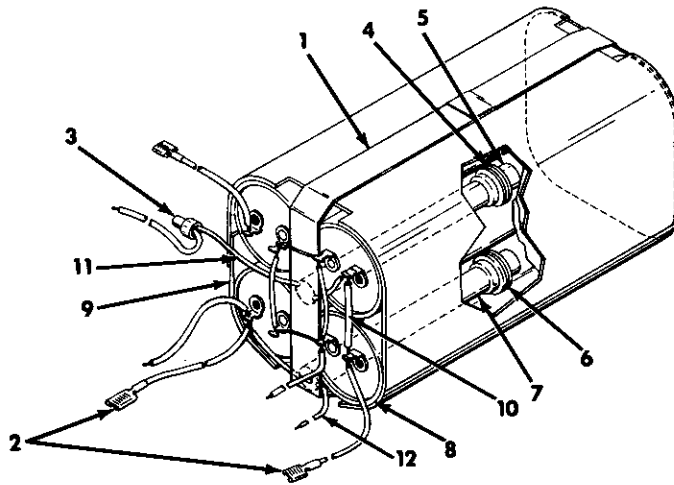


Figure 5B. CAPACITOR PACK ASSEMBLY

Figure and Index No.	Part Number	1	2	3	4	5	Nomenclature	Qty.
5B-	40852G1						Pack Assembly - Capacitor . . . . .	Ref.
-1							. Tape . . . . .	LP
-2	38998						. Terminal . . . . .	3
-3	37947						. Connector - Wire . . . . .	1
-4	265-3						. Grommet - Rubber . . . . .	2
-5	35796P2						. Resistor, 1500 ohms $\pm 10\%$ , 40w . . . . .	1
-6	265-3						. Grommet - Rubber . . . . .	2
-7	35796P5						. Resistor, 1250 ohms $\pm 5\%$ , 40w . . . . .	1
-8	40788P1						. Capacitor - Electrolytic, 490 mfd, 500v (C-4, C-5, C-6, C-7) . . . . .	4
-9	40853G1						. Sleeve Assembly . . . . .	1
-10	37238P30						. Tubing . . . . .	3
-11	37238P31						. Tubing . . . . .	3
-12	40637P2						. Tubing . . . . .	1

**WARNING - BEFORE PERFORMING ANY REPAIRS ON THE CAPACITOR PACK, CONNECT A 500-OHM, 25-WATT RESISTOR ACROSS THE TERMINALS OF EACH CAPACITOR IN TURN FOR A MINIMUM OF TEN SECONDS TO BE CERTAIN CAPACITORS ARE DISCHARGED. TAKE PROPER PRECAUTIONS TO AVOID CONTACT WITH HIGH VOLTAGE LEADS OR TERMINALS UNTIL CAPACITORS ARE DISCHARGED. INJURY MAY RESULT IF THESE PRECAUTIONS ARE NOT OBSERVED.**

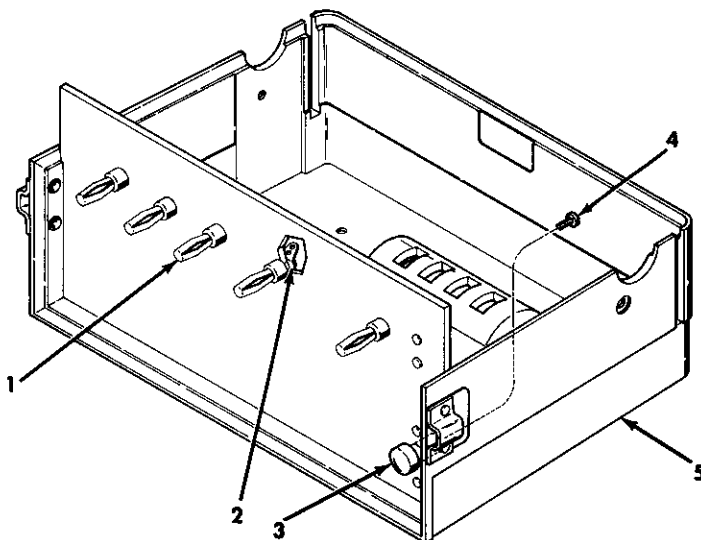


Figure 5C. CAPACITOR PACK HOUSING ASSEMBLY

Figure and Index No.	Part Number	1	2	3	4	5	Nomenclature	Qty.
5C-	40833G1						Housing Assembly - Capacitor Pack . . . . .	Ref.
-1	38419						. Plug . . . . .	5
-2	40841						. Terminal . . . . .	5
-3	40845						. Actuator (S-2) . . . . .	1
	Attaching Part							
-4	121-4-3H						. Screw - Thread Forming, No. 4 x 3/16 pan hd . . . . .	1
	----***----							
-5							. Housing Subassembly. . . . .	Ref.

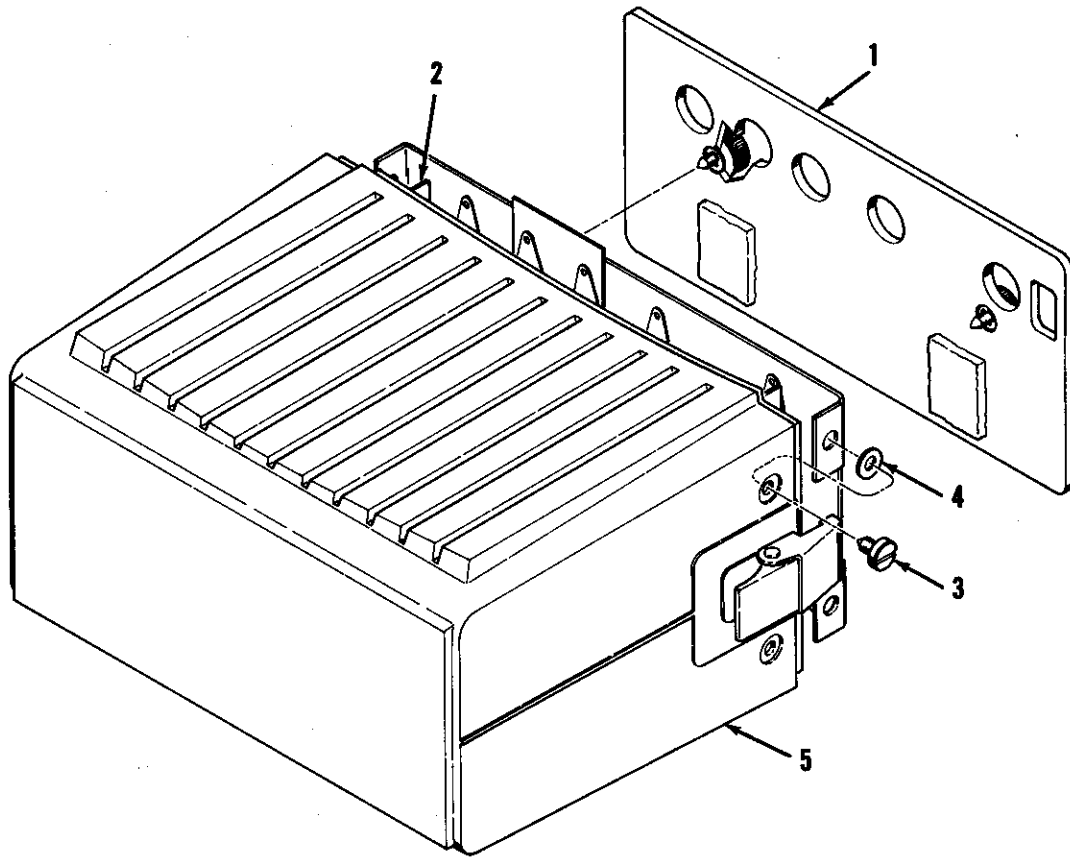


Figure 6. LOWER HOUSING COMPLETE (RG MODEL)

Figure and Index No.	Part Number	1	2	3	4	5	Nomenclature	Qty.	Ref.
6-	40881G1						Housing Complete - Lower (RG Model) Cat. No. 2238. . . . .		Ref.
-1	40862G1						. Cover Assembly - Chassis . . . . .	1	
	251-9-1						. . Ring - Retaining . . . . .	2	
	40864						. . Screw - Cover . . . . .	2	
	38500-17						. . Washer - Flat, 0.500 x 0.170 x 0.020. . . . .	2	
	40859P3						. . Cushion . . . . .	2	
-2	40865G1						. Chassis Complete (Figure 6A). . . . .	1	
	Attaching Parts								
-3	*40803						. Screw - Machine, No. 8-32 x 3/8 oval hd nylon . . . . .	4	
-4	41846-3A						. Washer - Flat . . . . .	4	
	---***---								
-5	40857G1						. Housing Assembly. . . . .	1	
	40793P1						. . Plate Model . . . . .	1	
	40791P1						. . Nameplate . . . . .	1	

\*NOTE: Nylon plastic screw must be used: remove and discard original metal screws.

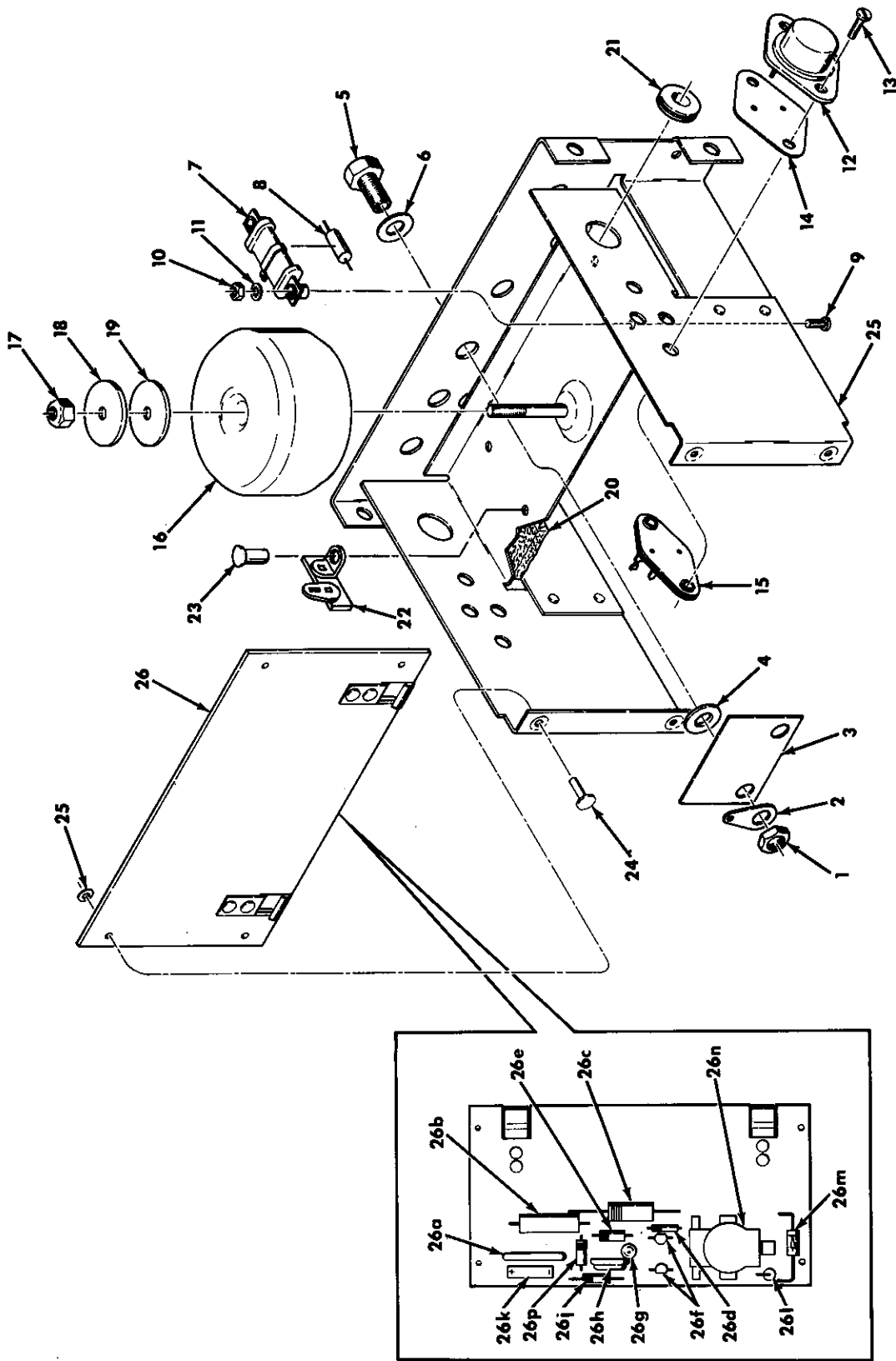


FIGURE 6A. CHASSIS COMPLETE

STROB 500 and GLOBE STROB 500 FLASH UNITS

Figure and Index No.	Part Number	1	2	3	4	5	Nomenclature	Qty.
6A-	40865G1						Chassis Complete.....	Ref.
-1	40867P6						. Nut - Machine .....	5
-2	40867P5						. Terminal .....	5
-3	40820						. Plate .....	1
-4	40867P3						. Washer - Insulating.....	5
-5	40867P2						. Jack .....	5
-6	40867P4						. Washer - Flat .....	5
-7	39476P8						. Resistor - Adjustable, 50 ohms, 2W (R-7).....	1
-8	39339P5						. Resistor - Fixed, 16 ohms, 5W (R-11).....	1
	Attaching Parts							
-9	116-4-8H						. Screw - Machine, No. 4-40 x 1/2 Pan Hd. ....	2
-10	200-4H						. Nut - Machine No. 4-40 Hex. ....	2
-11	221-4H						. Washer - Lock, Internal Tooth For No. 4 Screw .....	2
	***---							
-12	40868P1						. Transistor - Power (TR-1, TR-2).....	2
	Attaching Parts							
-13	121-6-8H						. Screw Thread Forming No. 6 x 1/2 Pan Hd. ....	4
	***---							
-14	39323P1						. Insulator .....	2
-15	41085P1						. Socket - Power Transistor .....	2
-16	40866P1						. Transformer - Toroidal (T-1).....	1
	Attaching Parts							
-17	203-3						. Nut - Stop No. 8-32 .....	1
-18	35473-42H						. Washer - Flat, 0.880 x 0.208 x 0.065 .....	1
-19	38500-18						. Washer - Flat, 0.780 x 0.223 x 0.125 .....	1
	***---							
-20	40859P1						. Cushion .....	1
-21	265-3						. Grommet - Rubber .....	1
	Chassis Sub-Assembly.....							
	1							
-22	413-6						. Terminal, Strip .....	1
-23	175-5-10						. Rivet .....	1
-24	177-4-13H						. Rivet .....	6
-25	35473-67						. Washer - Flat.....	6
-26	40874G1						. Board Assembly - Circuit .....	1
-26a	38339P16						. Capacitor - Ceramic 0.005 mfd ±20%, 1400V (C-2) .....	1
-26b	38738P21						. Capacitor - Paper, 0.33 mfd ±10%, 100V (C-3).....	1
-26c	404-56-1-3						. Resistor - Fixed, Composition, 560 ohms ±5% 2W (R-2) ...	1
-26d	402-68-1-2						. Resistor - Fixed, Composition (R-3).....	1
-26e	402-15-3-2						. Resistor - Fixed, Composition, 15K ohms, ±10%, 1/2W (R-4)	1
-26f	40876P1						. Transistor, 2N4061 (TR-3, TR-4) .....	2
-26g	40769						. Lamp (L-1).....	1
-26h	40761P1						. Potentiometer (VR-1).....	1
-26j	402-68-4-3						. Resistor - Fixed, Composition (R-5).....	1
-26k	39324P3						. Diode - Bridge, (FWL 600) (D-2) .....	1
-26l	39339P3						. Resistor - Power, 5.0 ohms, ±5% 3W (R-1).....	1
-26m	38293P5						. Diode, (D-1).....	1
-26n	39863P3						. Relay (K-1).....	1
-26p	402-10-4-3						. Resistor 100K ohm, 1/2W 5% (R-6).....	1

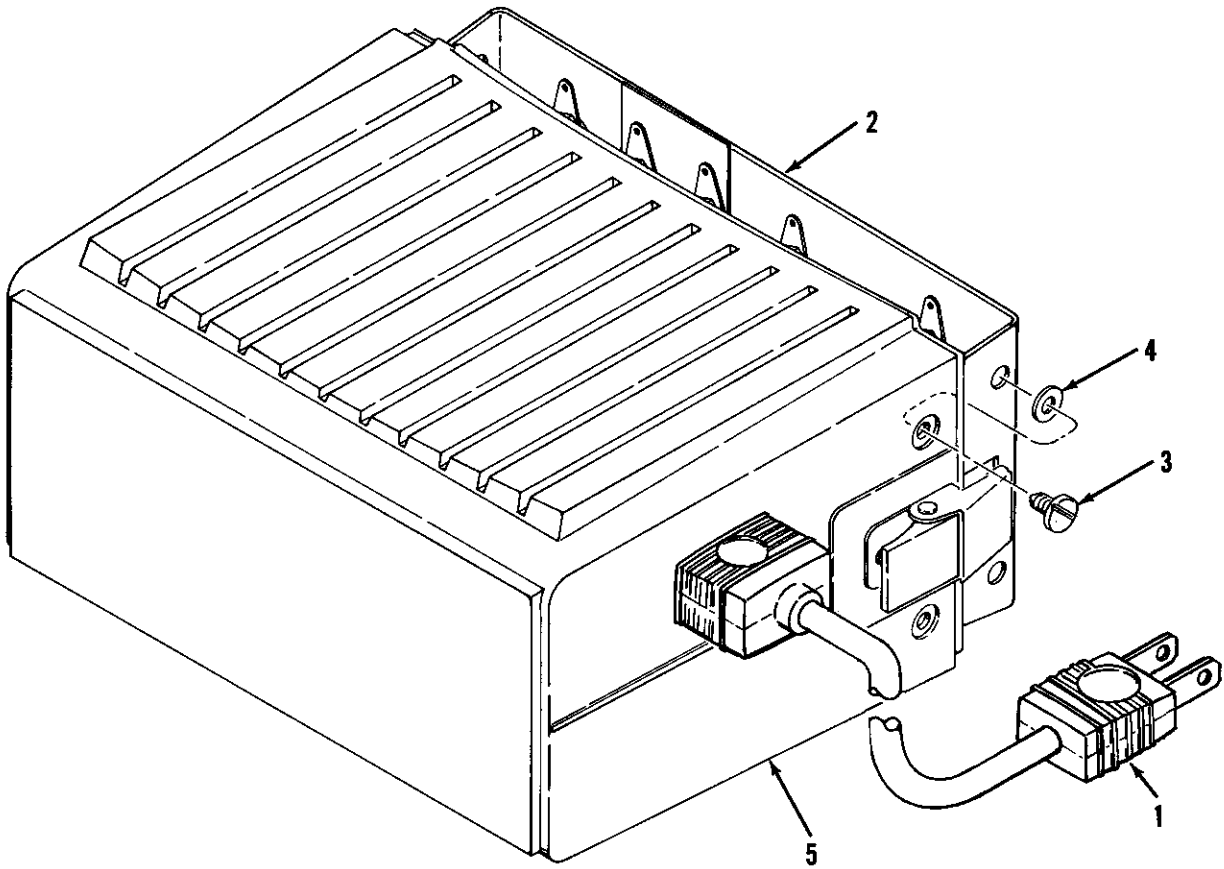


Figure 7. LOWER HOUSING COMPLETE (AC MODEL)

Figure and Index No.	Part Number	1	2	3	4	5	Nomenclature	Qty.
7-	40881G3						Housing Complete - Lower (AC Model) Cat. No. 2239. . . . .	Ref.
-1	40924P1						. Cord - Power. . . . .	1
	40881G2						. Housing Complete (less cord) . . . . .	1
-2	40923G2						. Chassis Complete (Figure 7A). . . . .	1
	Attaching Parts							
-3	104-8-6T						. Screw - Machine, No. 8-32 x 3/8 oval hd . . . . .	4
-4	41846-3A						. Washer - Flat . . . . .	4
	---***---							
-5	40857G3						. Housing Assembly . . . . .	1
	40793P3						. Plate, Model . . . . .	1
	40791P1						. Nameplate . . . . .	1

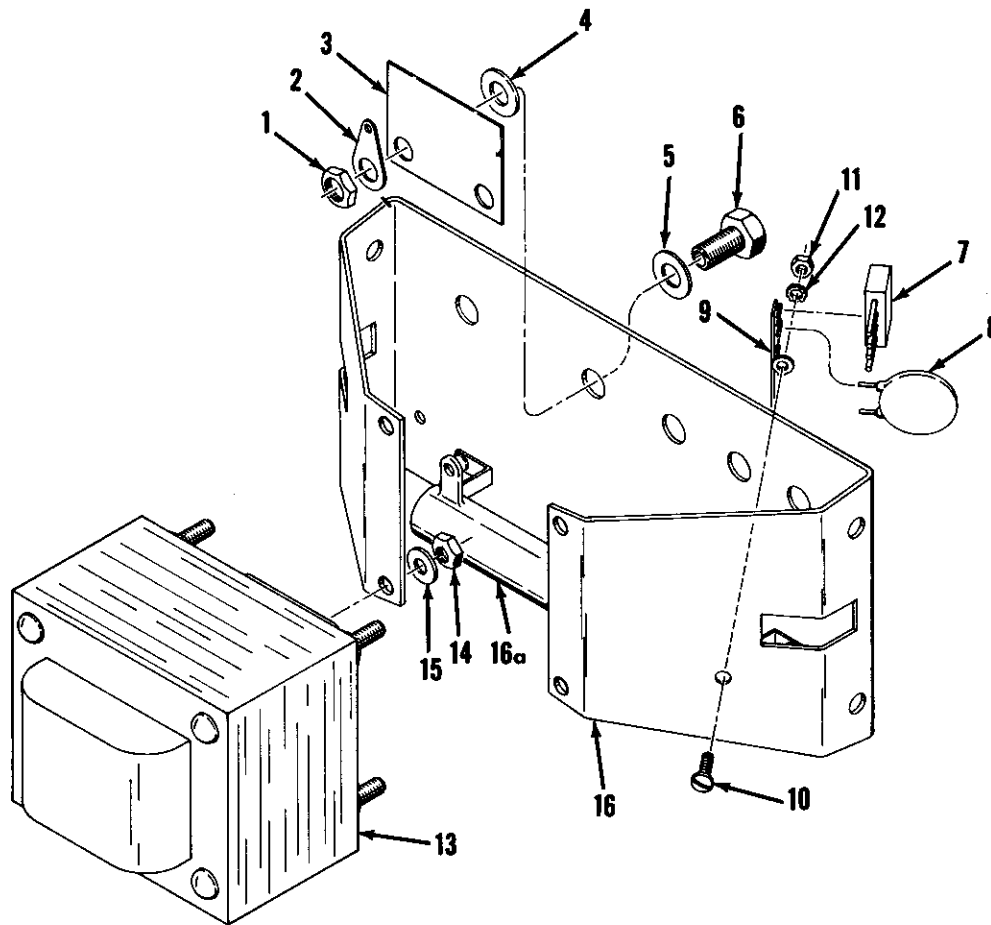


Figure 7A. CHASSIS COMPLETE

Figure and Index No.	Part Number	1	2	3	4	5	Nomenclature	Qty
7A-	40923G2						Chassis Complete - AC Model . . . . .	Ref.
-1	40867P6	.					Nut - Machine . . . . .	5
-2	40867P5	.					Terminal. . . . .	5
-3	40820	.					Plate . . . . .	1
-4	40867P3	.					Washer - Insulating . . . . .	5
-5	40867P4	.					Washer - Flat . . . . .	5
-6	40867P2	.					Jack . . . . .	5
-7	39324P3	.					Diode - Bridge (FWL 600) (D-2). . . . .	1
-8	38339P16	.					Capacitor - Ceramic, 0.005 mfd ±20%, 1400v (C-2) . . . . .	1
-9	413-2	.					Strip - Terminal. . . . .	1
	Attaching Parts							
-10	116-6R4H	.					Screw - Machine, No. 6-32 x 1/4 pan hd . . . . .	1
-11	200-6HH	.					Nut - Machine, No. 6 hex . . . . .	1
-12	220-6	.					Washer - Lock, external tooth, for No. 6 screw . . . . .	1
	---***---							
-13	40927P1	.					Transformer (T-2). . . . .	1
	Attaching Parts							
-14	200-8HH	.					Nut - Machine, No. 8 hex . . . . .	4
-15	220-8	.					Washer - Lock, external tooth, for No. 8 screw . . . . .	4
	---***---							
-16	40923G1	.					Chassis Assembly . . . . .	1
-16a	40929P2	.					Resistor - wire wound, 200 ohms, ±5%, 50w (R-10) . . . . .	1



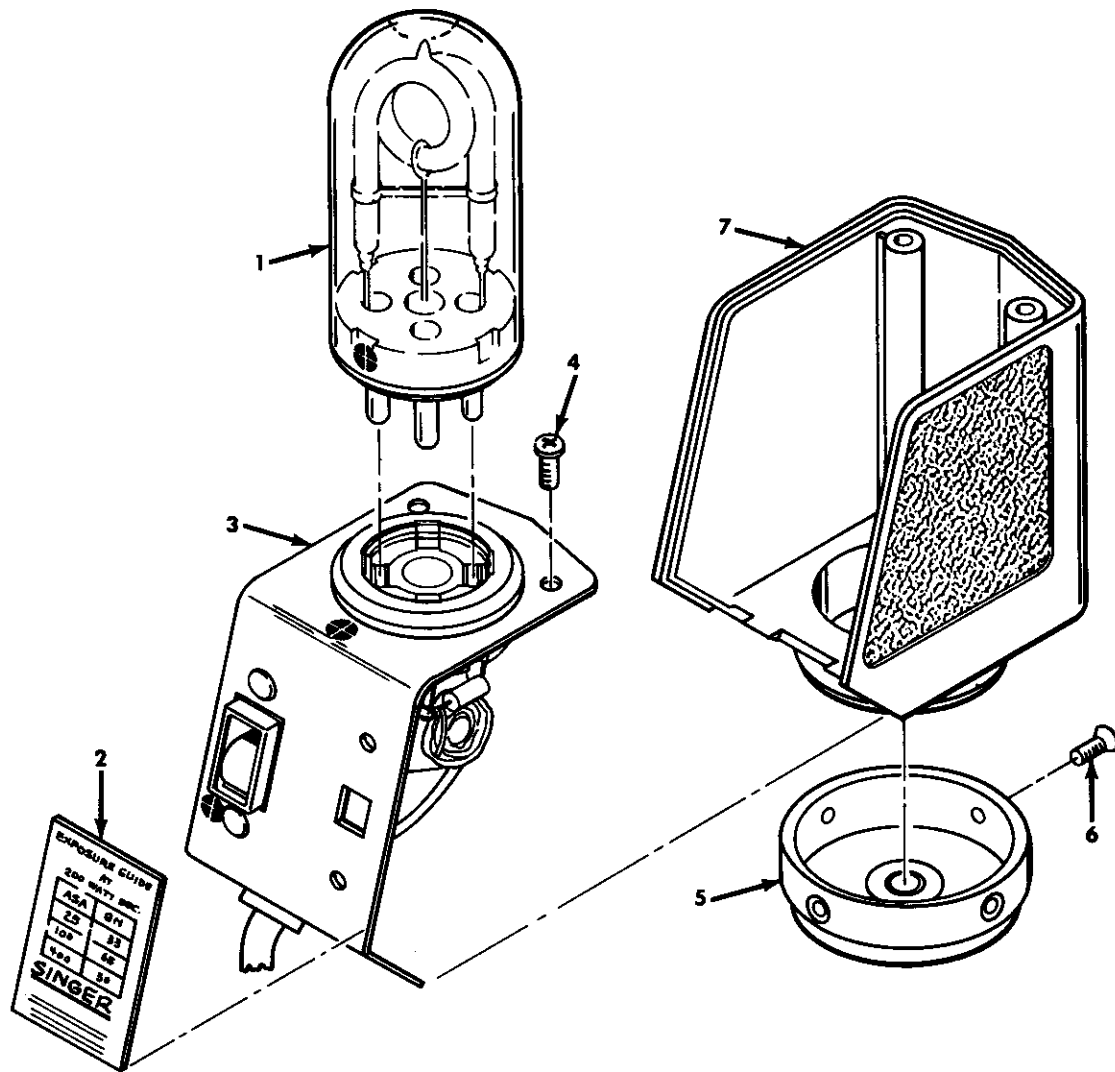


Figure 8. GLOBE STROB 500 COMPLETE

Figure and Index No.	Part Number	1	2	3	4	5	Nomenclature	Qty.
8-	43200G1						GLOBE STROB 500 Complete . . . . .	Ref.
-1	43207P1						. Flashlamp . . . . .	1
-2	43213						. Guide, Exposure . . . . .	1
-3	43201G1						. Cover Complete (Figure 8A). . . . .	1
	Attaching Parts							
-4	121-4R-5H						. Screw . . . . .	4
	---***---							
-5	43209P1						. Cap Bottom . . . . .	1
	Attaching Parts							
-6	125-4R-5H						. Screw . . . . .	4
	---***---							
-7	43208G1						. Housing. . . . .	1

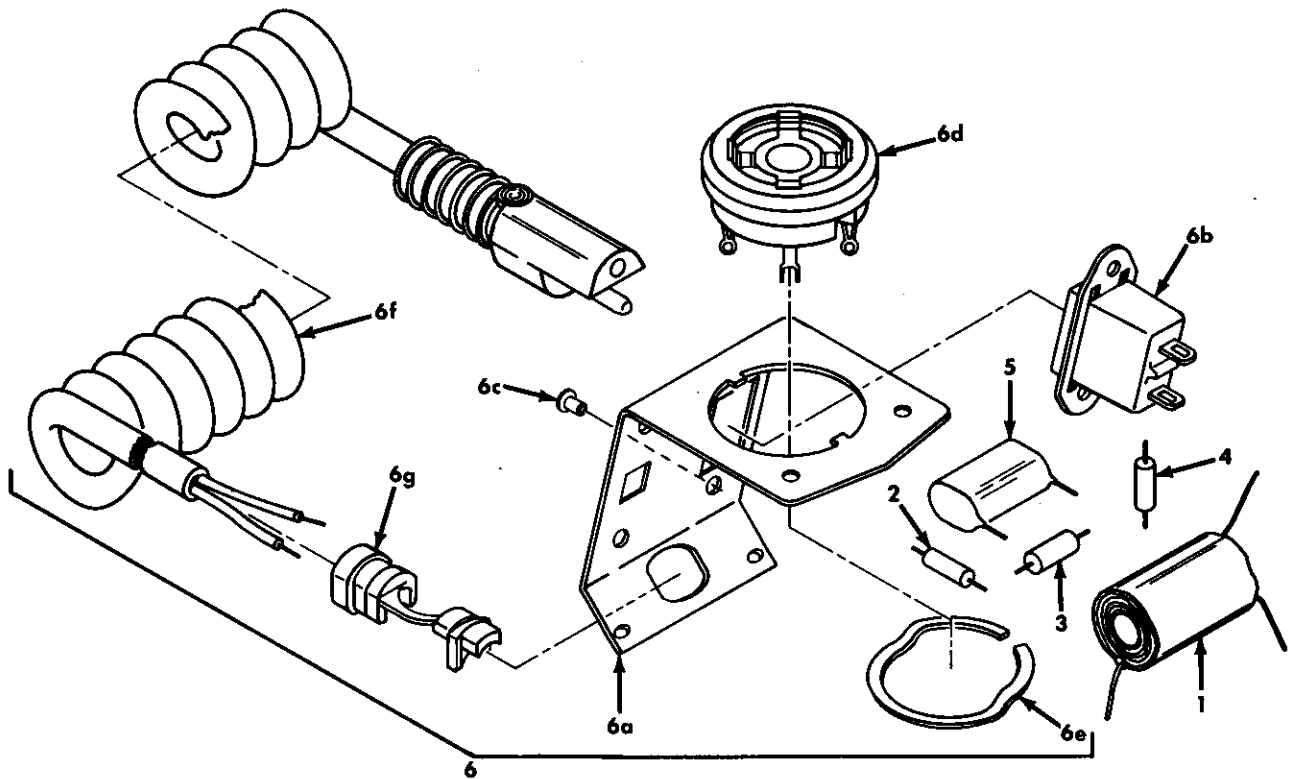


Figure 8A. COVER COMPLETE GLOBE STROB 500

Figure and Index No.	Part Number	1	2	3	4	5	Nomenclature	Qty.
8A-	43201G2						Cover Complete . . . . .	Ref.
-1	40764P1						. Transformer (T-1) . . . . .	1
-2	402-12-5-3						. Resistor 1.2 meg ohms 1/2W 5% (R-1) . . . . .	1
-3	402-10-5-3						. Resistor 1.0 meg ohms 1/2W 5% (R-3) . . . . .	1
-4	402-15-5-3						. Resistor 1.5 meg ohms 1/2W 5% (R-2) . . . . .	1
-5	42756P1						. Capacitor .15uf 400V (C-1) . . . . .	1
-6	43201G1						. Cover Assembly . . . . .	1
-6a	43202G1						. Cover . . . . .	1
-6b	43203P1						. Receptacle (P-2) . . . . .	1
-6c	175-6-8H						. Rivet . . . . .	2
-6d	43204P2						. Socket . . . . .	1
-6e	43204P3						. Ring, Retaining . . . . .	1
	***							
-6f	43206P1						. Cord Set . . . . .	1
-6g	241-1						. Bushing, Strain Relief . . . . .	1

Cat 2251 strob 500 cord power cord replacement